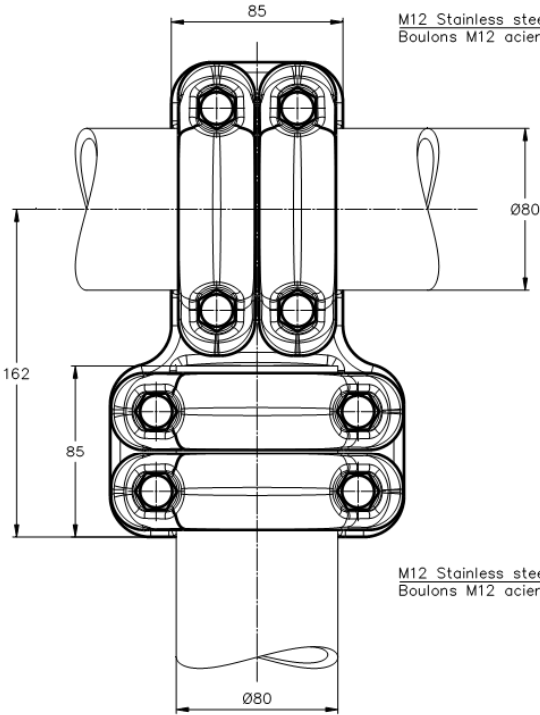


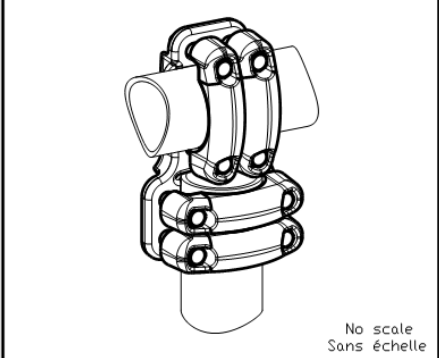
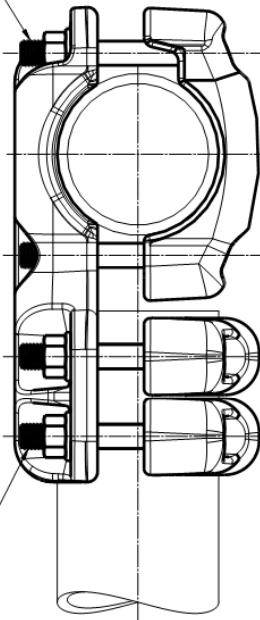
THIS DRAWING IS UNPUBLISHED. RELEASED FOR PUBLICATION
 © COPYRIGHT - By - ALL RIGHTS RESERVED.

REVISIONS					
P	LR	DESCRIPTION	DATE	DWI	APVD
C		UPDATED DRAWING	10-Jun-16	PG	-



M12 Stainless steel bolts: 60Nm
 Boulons M12 acier inoxydable: 60Nm

M12 Stainless steel bolts: 60Nm
 Boulons M12 acier inoxydable: 60Nm



THIS DRAWING IS A CONTROLLED DOCUMENT.		DWI GODARD	27-Jan-16	TE Connectivity	
DIMENSIONS: mm		CHK -	APVD -		
TOLERANCES UNLESS OTHERWISE SPECIFIED: 0 PLC ± - 1 PLC ± - 2 PLC ± - 3 PLC ± - 4 PLC ± - ANGLES ± -		PRODUCT SPEC 108-69090-001 APPLICATION SPEC -		SIZE A3	CAGE CODE 00779
MATERIAL -		FINISH -		WEIGHT 3.4 kg	DRAWING NO C=2839172
ITEM:.....				CUSTOMER DRAWING	RESTRICTED TO -
				SCALE 1/2	SHEET 1 of 1
					REV C