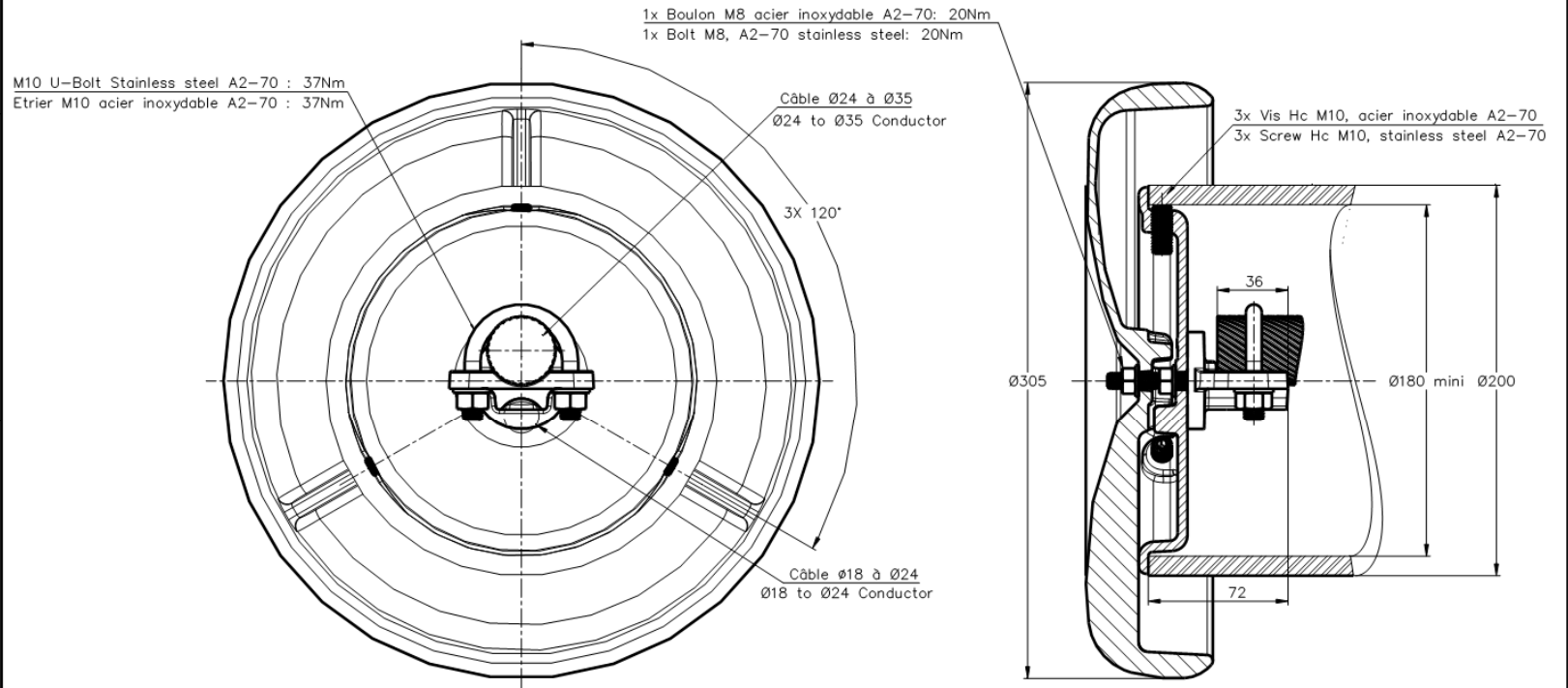


THIS DRAWING IS UNPUBLISHED. RELEASED FOR PUBLICATION
 © COPYRIGHT - By - ALL RIGHTS RESERVED.

REVISIONS					
P	LTR	DESCRIPTION	DATE	DWI	APVD
A		CREATION	22-Jun-17	MP	-



THIS DRAWING IS A CONTROLLED DOCUMENT.		DWI	22-Jun-17	STE TE Connectivity	
		PREVOT			
DIMENSIONS: mm		TOLERANCES UNLESS OTHERWISE SPECIFIED:		NAME	
		Ø PLC	± -	CORONA SHIELD END CAP - CABLE HOLDER	
		1 PLC	± -	BOUCHON PARE-EFFLUVE PORTE CABLE	
		2 PLC	± -	5 TAPAC 82 T200 18/35	
		3 PLC	± -	SIZE	
		4 PLC	± -	CAGE CODE	
		ANGLES	± -	DRAWING NO	
MATERIAL		FINISH		RESTRICTED TO	
				-	
ITEM:.....		WEIGHT	3.8 kg	A300779 ©=2301117	
		CUSTOMER DRAWING		SCALE	1/2
				SHEET	1 of 1
				REV	A