

4

3

2

1

THIS DRAWING IS UNPUBLISHED
DIFFUSION RESTREINTE

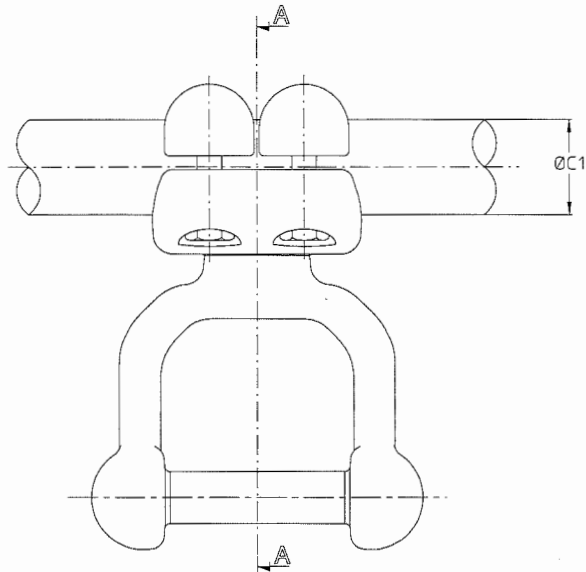
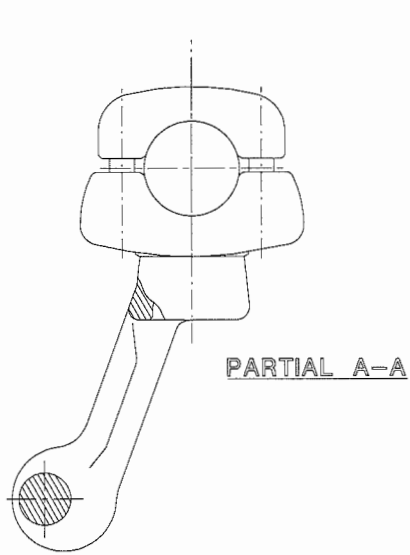
RELEASED FOR PUBLICATION
LIBRE A LA DIFFUSION

2011

© COPYRIGHT 2011 by Tyco Electronics Corporation


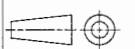
ALL RIGHTS RESERVED.
TOUS DROITS RESERVES

| LOC | DIST | REVISIONS | | | | | |
|-----|------|-----------|---------|---------------------------|-----------|----------|-----------|
| | | P | LTR REV | DESCRIPTION MODIFICATIONS | DATE | DWN DESS | APVD APPR |
| - | - | | 1 | CREATION | 18-Dec-14 | JG | - |
| | | | | | | | |
| | | | | | | | |



Ø C1 = 100

ITEM:

| | | | | | | | |
|--|--|---|--|--|--|--|--|
| THIS DRAWING IS A CONTROLLED DOCUMENT. CE PLAN EST UN DOCUMENT CONTROLÉ PAR TYCO ELECTRONICS CORPORATION IL EST SUSCEPTIBLE D'ÊTRE RÉVISÉ POUR OBTENIR LA DERNIÈRE RÉVISION. CONTACTER LE SERVICE TECHNIQUE DE TYCO ELECTRONICS S.P.A. S.A.S. 1300 GENÈVE CHAMBERLIN, FRANCE | | DWN /DESSNE GODARD | | 18-Dec-14 | |  TE connectivity SIMEL PRODUCTS | |
| DIMENSIONS: mm | | TOLERANCES UNLESS OTHERWISE SPECIFIED PER TOLERANCES NON SPECIFIEES SELON : - | | CHK/VERIFE - | | | |
|  | | PRODUCT SPEC SPEC PRODUIT - | | NAME TITRE | | EARTHING STIRRUP | |
| MATERIAL MATIERE | | FINISH FINITION | | APPLICATION SPEC SPEC. APPLICATION - | | RESTRICTED TO RESERVE A | |
| | | | | SIZE FORMAT | | CAGE CODE 00779 | |
| | | | | DRAWING NO No PLAN | | - | |
| | | | | WEIGHT MASSE APPROX. | | - | |
| CUSTOMER DRAWING /PLAN CLIENT | | | | UNIQUEMENT POUR REFERENCE | | SCALE ECHELLE | |
| | | | | NA | | SHEET FEUILLE | |
| | | | | 1 | | OF DE | |
| | | | | 1 | | REV 1 | |