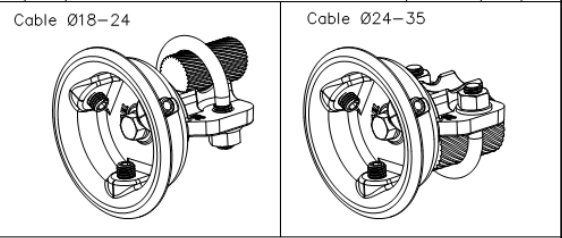


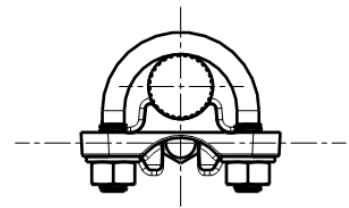
THIS DRAWING IS UNPUBLISHED. RELEASED FOR PUBLICATION  
 © COPYRIGHT - By - ALL RIGHTS RESERVED.

REVISIONS

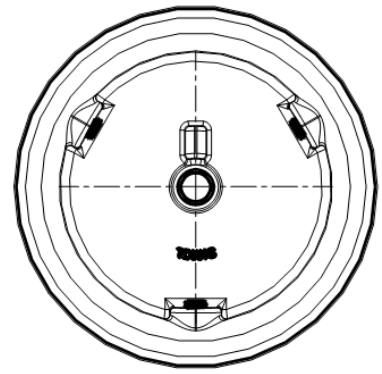
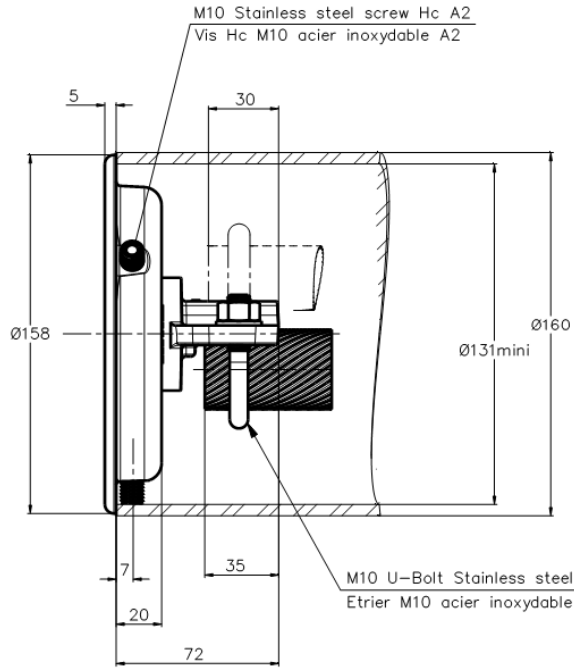
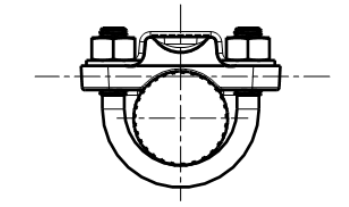
P	LTR	DESCRIPTION	DATE	DWI	APVD
B		UPDATED DRAWING	05-Jan-17	GL	-



Cable 18DIA to 24 assembly  
 Assemblage pour cable Ø18 à 24



Cable 24DIA to 35 assembly  
 Assemblage pour cable Ø24 à 35



THIS DRAWING IS A CONTROLLED DOCUMENT.		DWI	LAFORGE	10-Mar-15	<b>STE</b> TE Connectivity	
DIMENSIONS: mm		CHK	-	-		
TOLERANCES UNLESS OTHERWISE SPECIFIED:		APVD	-	-	NAME	
1 PLC ± -		PRODUCT SPEC		END CAP CABLE HOLDER		
2 PLC ± -		108-69090-001		BOUCHON PLAT PORT CABLE		
3 PLC ± -		APPLICATION SPEC		5 TABPC 82 T160 18/35		
4 PLC ± -		WEIGHT		0.64 kg	SIZE	CAGE CODE
ANGLES ± -		CUSTOMER DRAWING		A3	00779	C=2301091
MATERIAL		FINISH		SCALE		3/4
ITEM:.....		RESTRICTED TO		SHEET		1 of 1
1470-19 (1/15)		REV		REV		B