

4

3

2

1

THIS DRAWING IS UNPUBLISHED.

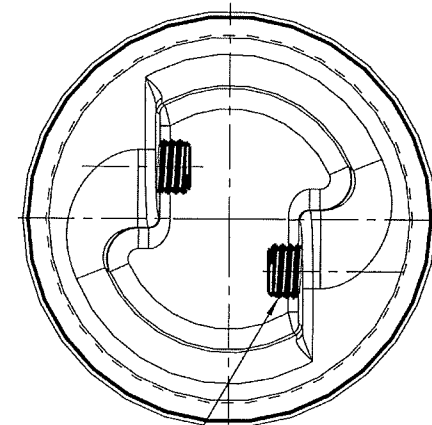
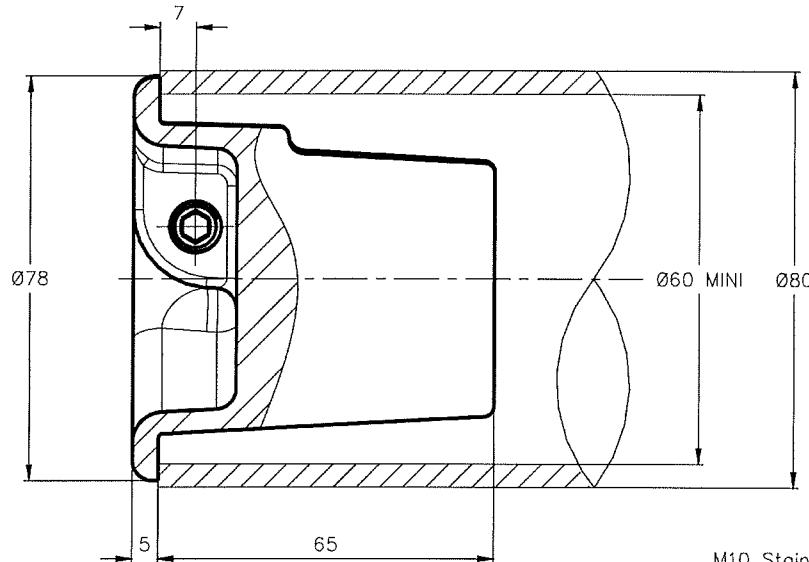
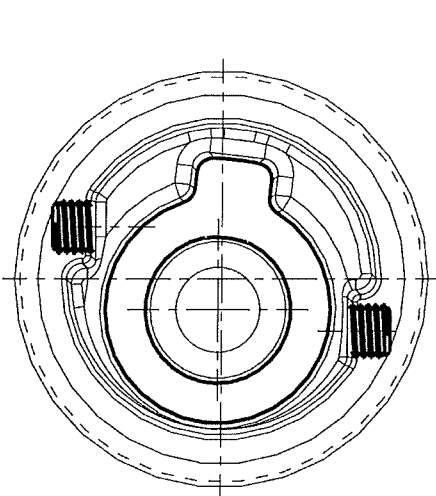
RELEASED FOR PUBLICATION

© COPYRIGHT - By -

ALL RIGHTS RESERVED.

REVISIONS

P	LTR	DESCRIPTION	DATE	DW	APVD
C		UPDATED DRAWING	10-Nov-16	JPM	-



M10 Stainless steel screw Hc A2
 Vis Hc M10 acier inoxydable A2

ITEM: 13

THIS DRAWING IS A CONTROLLED DOCUMENT.

DW 30-Mar-16
 GARNIER P.



DIMENSIONS:
mm

TOLERANCES UNLESS OTHERWISE SPECIFIED:

- 0 PLC ± -
- 1 PLC ± -
- 2 PLC ± -
- 3 PLC ± -
- 4 PLC ± -
- ANGLES ± -

MATERIAL

FINISH

CHK -

APVD -

PRODUCT SPEC

108-69090-001

APPLICATION SPEC

WEIGHT 0.25 kg

CUSTOMER DRAWING

NAME

END CAP
 BOUCHON PLAT
 5 TABP 82 T80 (O 80)

SIZE CAGE CODE DRAWING NO RESTRICTED TO

A3 00779 C-2302041

SCALE 1/1 SHEET 1 OF 1 REV C