

4

3

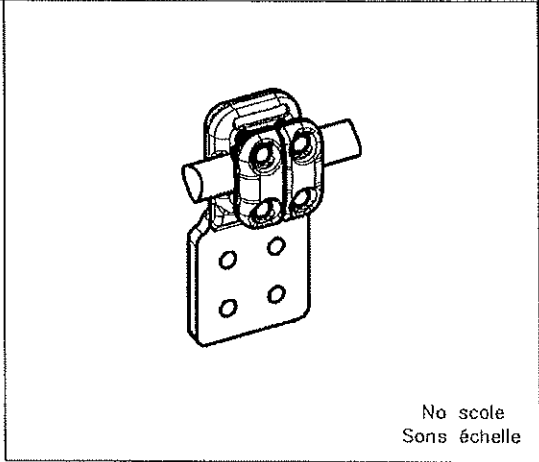
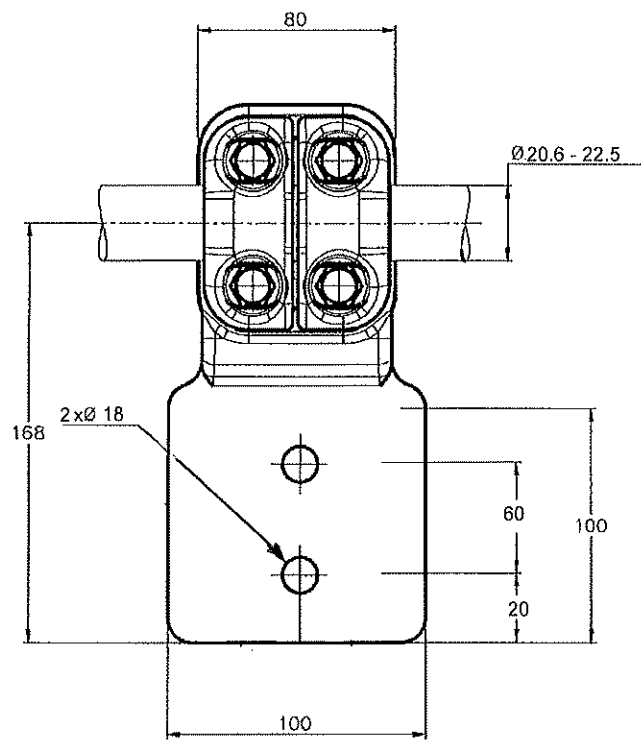
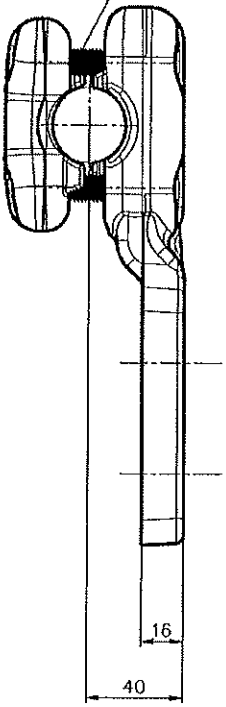
2

1

THIS DRAWING IS UNPUBLISHED. RELEASED FOR PUBLICATION
 © COPYRIGHT - By - ALL RIGHTS RESERVED.

REVISIONS					
P	LTR	DESCRIPTION	DATE	DRN	APVD
A		CREATION	09-MAY-10	MT	--

M10 Bolts stainless steel A2: 37Nm
 Boulons M10 acier inoxydable A2: 37Nm



No scale
 Sons échelle

THIS DRAWING IS A CONTROLLED DOCUMENT.		DRN TALPIN	09-MAY-10																									
DIMENSIONS: mm		CHK --	NAME FLAG PAD CONNECTOR FOR CONDUCTOR																									
TOLERANCES UNLESS OTHERWISE SPECIFIED:		APVD --	RACCORD A PLAGE DRAPEAU POUR FAISCEAU SIMPLE																									
<table border="1"> <tr><td>0</td><td>PLC</td><td>±</td><td>--</td></tr> <tr><td>1</td><td>PLC</td><td>±</td><td>--</td></tr> <tr><td>2</td><td>PLC</td><td>±</td><td>--</td></tr> <tr><td>3</td><td>PLC</td><td>±</td><td>--</td></tr> <tr><td>4</td><td>PLC</td><td>±</td><td>--</td></tr> <tr><td colspan="2">ANGLES</td><td>±</td><td>--</td></tr> </table>		0	PLC	±	--	1	PLC	±	--	2	PLC	±	--	3	PLC	±	--	4	PLC	±	--	ANGLES		±	--	PRODUCT SPEC 108-69096-001	5 PF 82 S225 100 C892	
0	PLC	±	--																									
1	PLC	±	--																									
2	PLC	±	--																									
3	PLC	±	--																									
4	PLC	±	--																									
ANGLES		±	--																									
MATERIAL		APPLICATION SPEC --	SIZE A3	CAGE CODE 00779	DRAWING NO C=2334195																							
FINISH		APPROX. WEIGHT 1.4 kg	RESTRICTED TO --																									
CUSTOMER DRAWING			SCALE 1:2	SHEET 1 of 1	REV A																							

ITEM: 5

D
C
B
A