

4

3

2

1

THIS DRAWING IS UNPUBLISHED.

RELEASED FOR PUBLICATION

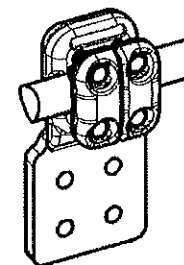
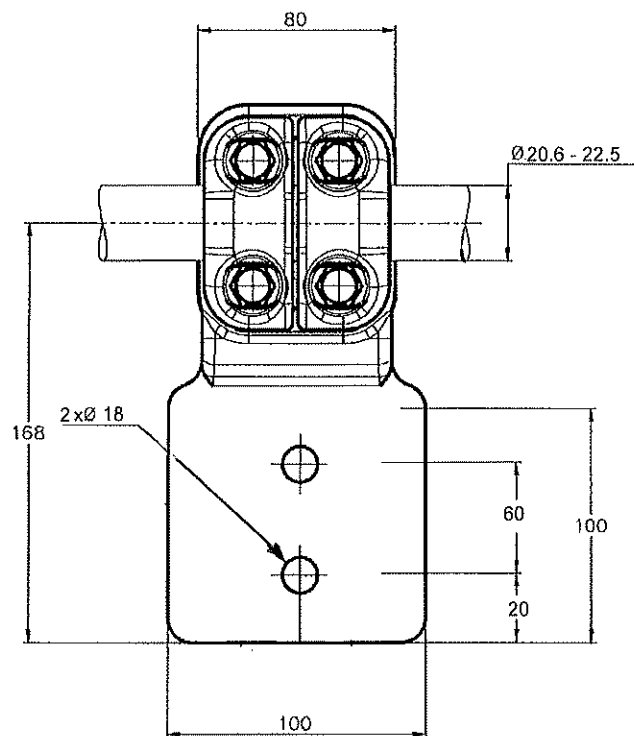
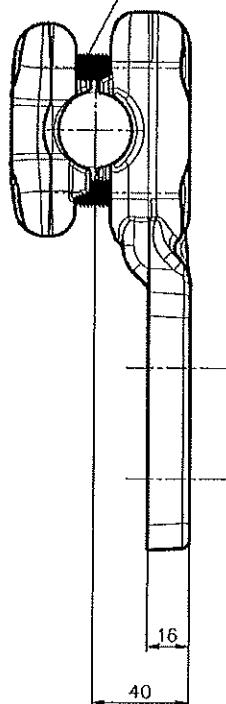
© COPYRIGHT - By -

ALL RIGHTS RESERVED.

## REVISIONS

P	LYR	DESCRIPTION	DATE	DMT	APVD
	A	CREATION	09-MAY-10	MT	--

M10 Bolts stainless steel A2: 37Nm  
 Boulons M10 acier inoxydable A2: 37Nm



No scale  
 Sans échelle

THIS DRAWING IS A CONTROLLED DOCUMENT.

DR: TALPIN 09-MAY-10

DIMENSIONS:  
mmTOLERANCES UNLESS  
OTHERWISE SPECIFIED:

0 PLC ± -  
 1 PLC ± -  
 2 PLC ± -  
 3 PLC ± -  
 4 PLC ± -  
 ANGLES ± -

MATERIAL

FINISH

CHK: --

APVD: --

PRODUCT SPEC

108-69096-001

APPLICATION SPEC

APPROX. WEIGHT 1.4 kg

CUSTOMER DRAWING



TE Connectivity

NAME FLAG PAD CONNECTOR FOR CONDUCTOR  
 RACCORD A PLAGE DRAPEAU POUR FAISCEAU SIMPLE  
 5 PF 82 S225 100 C892

SIZE CAGE CODE DRAWING NO

A3 00779

C=2334195

RESTRICTED TO

-

SCALE 1:2

SHEET 1 of 1

REV A

ITEM: 5