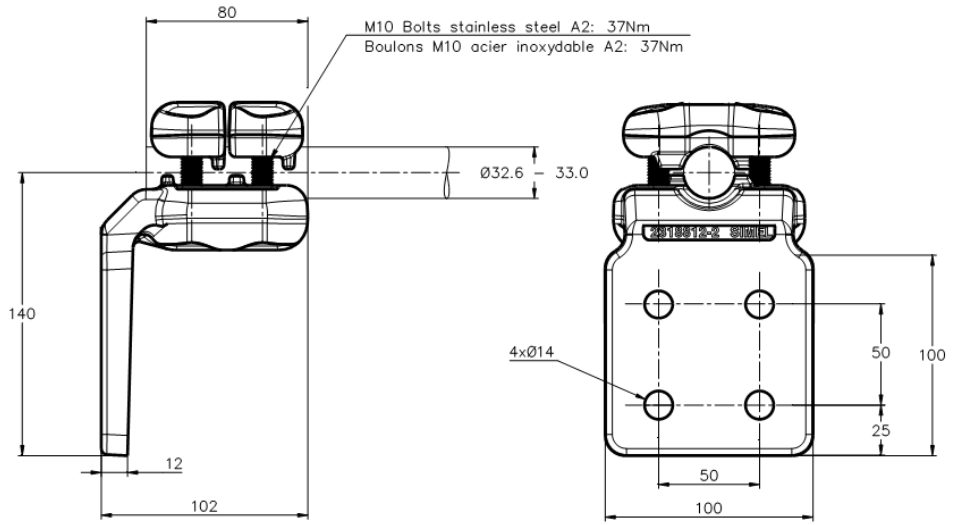
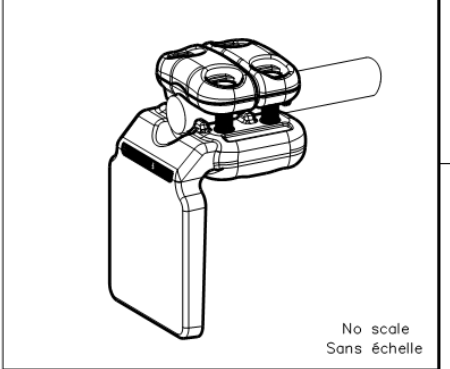


THIS DRAWING IS UNPUBLISHED. RELEASED FOR PUBLICATION  
 © COPYRIGHT - By - ALL RIGHTS RESERVED.

REVISIONS					
P	LTR	DESCRIPTION	DATE	DWI	APVD
A		CREATION	30-JAN-20	GL	-



Current flow: 1000A maxi  
 Courant transité: 1000A maxi

ITEM:.....

THIS DRAWING IS A CONTROLLED DOCUMENT.		DWI: LAFORGE	30-JAN-20	<b>STE</b> TE Connectivity	
DIMENSIONS: mm		CHK: -	APVD: -		
TOLERANCES UNLESS OTHERWISE SPECIFIED:		PRODUCT SPEC		NAME 90° CONNECTOR FOR SINGLE CONDUCTOR TO FLAT PALM	
<ul style="list-style-type: none"> <li>Ø PLC ± -</li> <li>1 PLC ± -</li> <li>2 PLC ± -</li> <li>3 PLC ± -</li> <li>4 PLC ± -</li> <li>ANGLES ± -</li> </ul>		108-69096-001		RACCORD PLAGE EQUERRE	
MATERIAL: -		APPLICATION SPEC: -		5 PE 82 S330 100 C34	
FINISH: -		APPROX. WEIGHT: 1.4 kg		SIZE: A3	CAGE CODE: 00779
		CUSTOMER DRAWING		DRAWING NO: C=2368721	RESTRICTED TO: -
		SCALE: 1:2		SHEET: 1 of 1	REV: A