

4

3

2

1

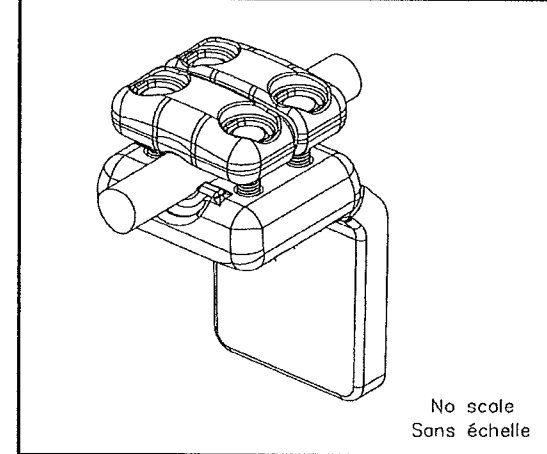
THIS DRAWING IS UNPUBLISHED. RELEASED FOR PUBLICATION

ALL RIGHTS RESERVED.

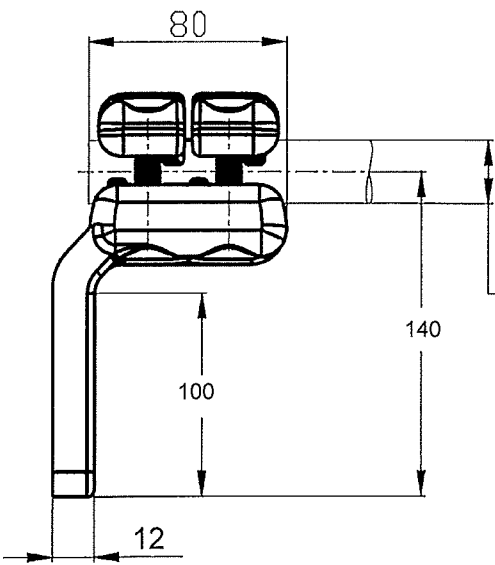
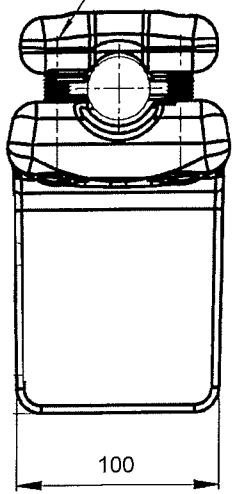
© COPYRIGHT -- By --

REVISIONS

P	LIR	DESCRIPTION	DATE	DRAWN	APVD
	A	CREATION	21AUG16	TC	—



M10 Stainless steel bolts : 37Nm
 Boulons M10 Acier inoxydable : 37Nm



Cable Ø20.5 à Ø25.5
 Cable 20.5DIA to 25.5

THIS DRAWING IS A CONTROLLED DOCUMENT.		DMH CHARTON	21AUG2016	STE TE Connectivity	
DIMENSIONS: mm		TOLERANCES UNLESS OTHERWISE SPECIFIED:		NAME	
		0 PLC ± -	1 PLC ± -	CONDUCTOR CONNECTOR TO VERTICAL PAD	
		2 PLC ± -	3 PLC ± -	RACCORD POUR CABLE SUR PLAGE EQUERRE	
		4 PLC ± -	ANGLES ± ±	5 PE 82 S225 100	
MATERIAL	FINISH	PRODUCT SPEC	APPLICATION SPEC	SIZE	CAGE CODE
-	-	108-69096-001	-	A3	00779
		WEIGHT	DRAWING NO	RESTRICTED TO	
		1.2 kg	C=2306936	-	
CUSTOMER DRAWING			SCALE	SHEET	REV
			1:2	1 of 1	A

ITEM: 4