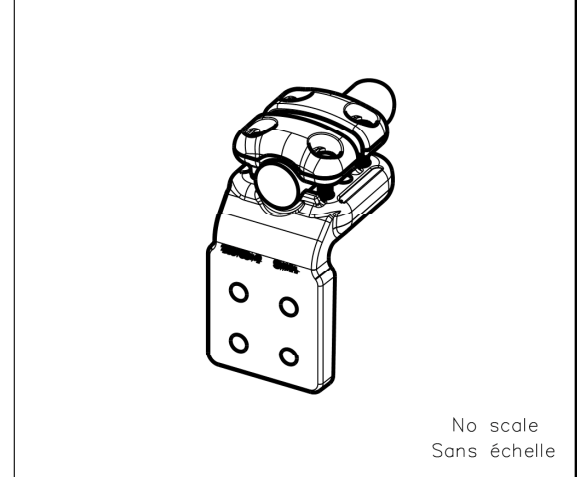
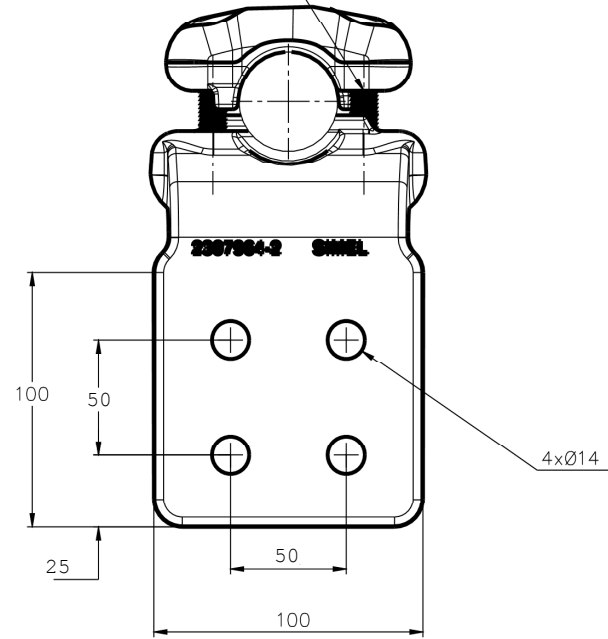
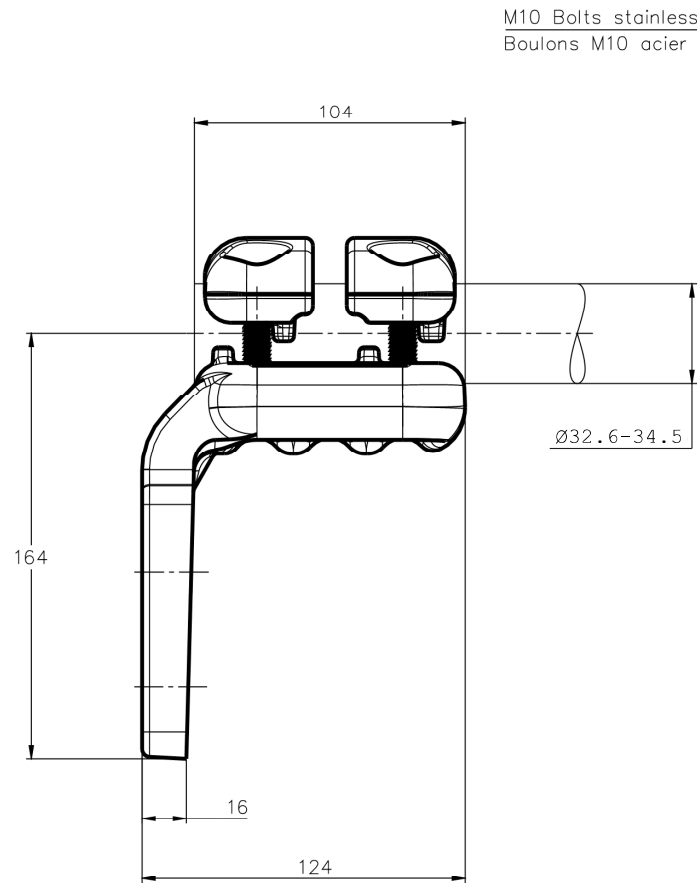


THIS DRAWING IS UNPUBLISHED. RELEASED FOR PUBLICATION
 © COPYRIGHT - By - ALL RIGHTS RESERVED.

REVISIONS				
P	LTR	DESCRIPTION	DATE	APVD
	A	CREATION	04-MAY-18	MT



THIS DRAWING IS A CONTROLLED DOCUMENT.		DWN	04-MAY-18		
		CHK	TALPIN		
DIMENSIONS: mm		APVD	-		NAME 90° CONNECTOR FOR SINGLE CONDUCTOR TO PALM RACCORD EQUERRE FAISCEAU SIMPLE SUR PLAGES 5 PE 82 M345 100 C34
TOLERANCES UNLESS OTHERWISE SPECIFIED: 0 PLC ± - 1 PLC ± - 2 PLC ± - 3 PLC ± - 4 PLC ± - ANGLES ± -		PRODUCT SPEC	108-69096-001		
		APPLICATION SPEC	-		SIZE
MATERIAL		APPROX. WEIGHT	1.7 kg	A3	CAGE CODE
		CUSTOMER DRAWING		00779	DRAWING NO
				C-2332302	RESTRICTED TO
				SCALE 1:2	SHEET 1 OF 1
				REV A	

ITEM: 13