

4

3

2

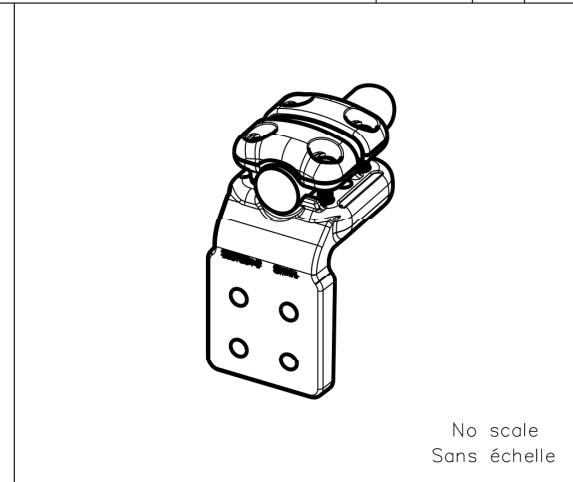
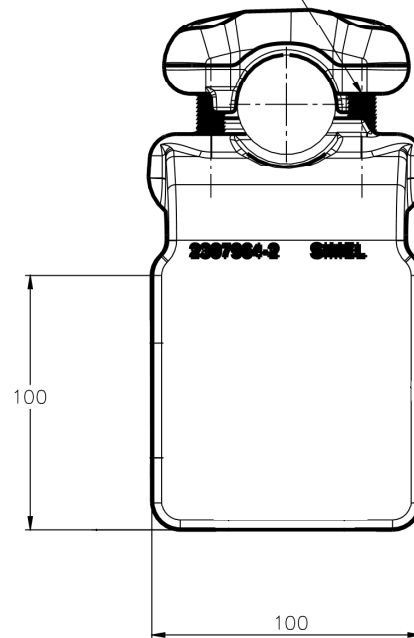
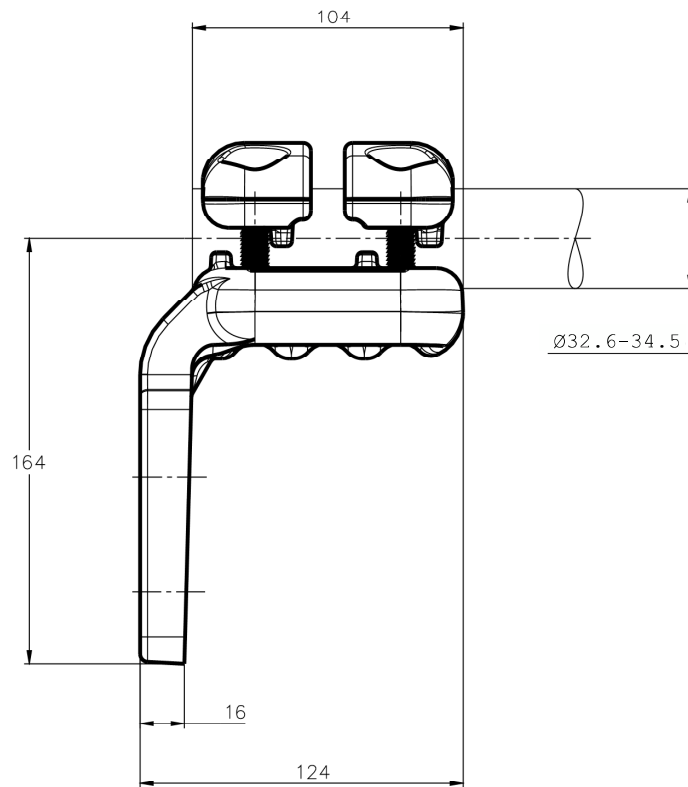
1

THIS DRAWING IS UNPUBLISHED. RELEASED FOR PUBLICATION  
 © COPYRIGHT - By - ALL RIGHTS RESERVED.

REVISIONS

P	LTR	DESCRIPTION	DATE	DWN	APVD
	A	CREATION	04-MAY-18	MT	-

M10 Bolts stainless steel A2: 37Nm  
 Boulons M10 acier inoxydable A2: 37Nm



No scale  
 Sans échelle

THIS DRAWING IS A CONTROLLED DOCUMENT.		DWN	04-MAY-18			
		CHK	TALPIN			
DIMENSIONS: mm		APVD	-		NAME	
TOLERANCES UNLESS OTHERWISE SPECIFIED:		PRODUCT SPEC	-		90° CONNECTOR FOR SINGLE CONDUCTOR TO PALM	
0 PLC ± -		APPLICATION SPEC	-		RACCORD EQUERRE FAISCEAU SIMPLE SUR PLAGE	
1 PLC ± -			108-69096-001		5 PE 82 M345 100 C34	
2 PLC ± -			-		SIZE	CAGE CODE
3 PLC ± -			-		A3	00779
4 PLC ± -			-		DRAWING NO	
ANGLES ± -			-		C-2332302	
MATERIAL		APPROX.WEIGHT	1.7 kg		RESTRICTED TO	
-			-		-	
FINISH		CUSTOMER DRAWING		SCALE	SHEET	REV
-				1:2	1 OF 1	A

ITEM:.....