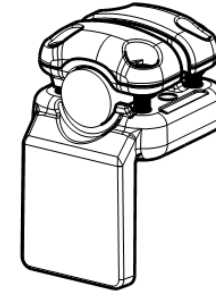
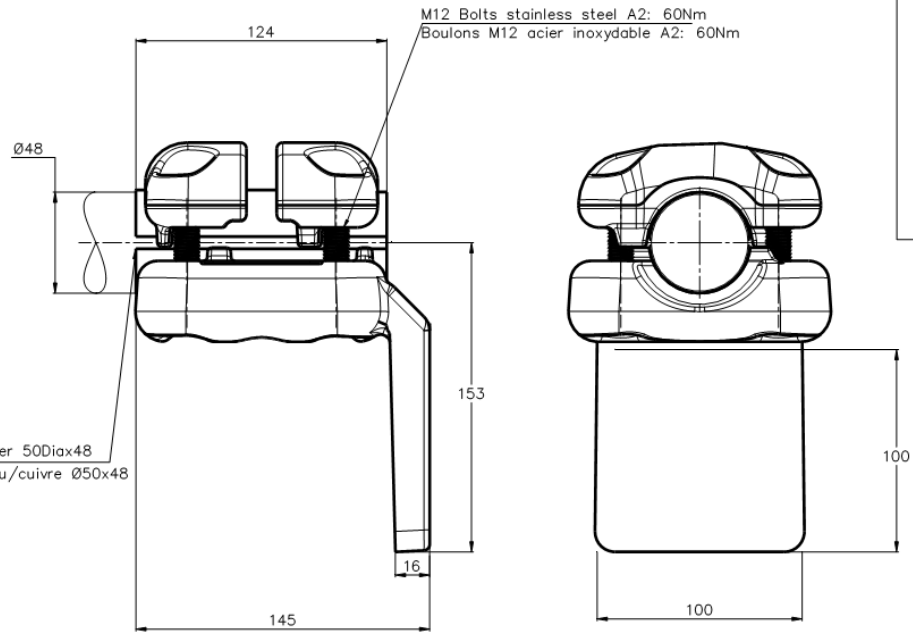


REVISIONS					
P	LTR	DESCRIPTION	DATE	DWN	APVD
A		CREATION	23-APR-20	GL	-



No scale
Sans échelle

THIS DRAWING IS A CONTROLLED DOCUMENT.

DIMENSIONS:	TOLERANCES UNLESS OTHERWISE SPECIFIED:
mm	
0 PLC	± -
1 PLC	± -
2 PLC	± -
3 PLC	± -
4 PLC	± -
ANGLES	± -

MATERIAL	FINISH
-	-

DWN	LAFORGE	23-APR-20
CHK	-	-
APVD	-	-
PRODUCT SPEC	108-69096-001	
APPLICATION SPEC	-	
WEIGHT	2.4 kg	
CUSTOMER DRAWING		



Pad connector for conductor
Connecteur à plage pour câble
5 PE 82 LK485 100

SIZE	CAGE CODE	DRAWING NO	RESTRICTED TO
A3	00779	C=2372995	-
SCALE	1:2	SHEET	1 of 1
REV	A		