

4

3

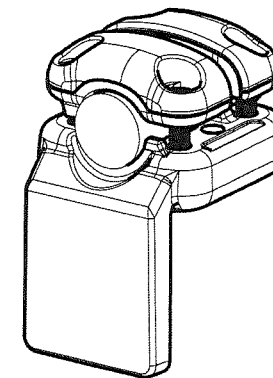
2

1

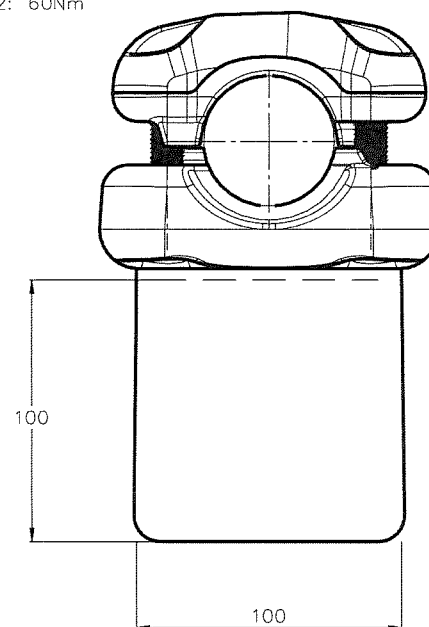
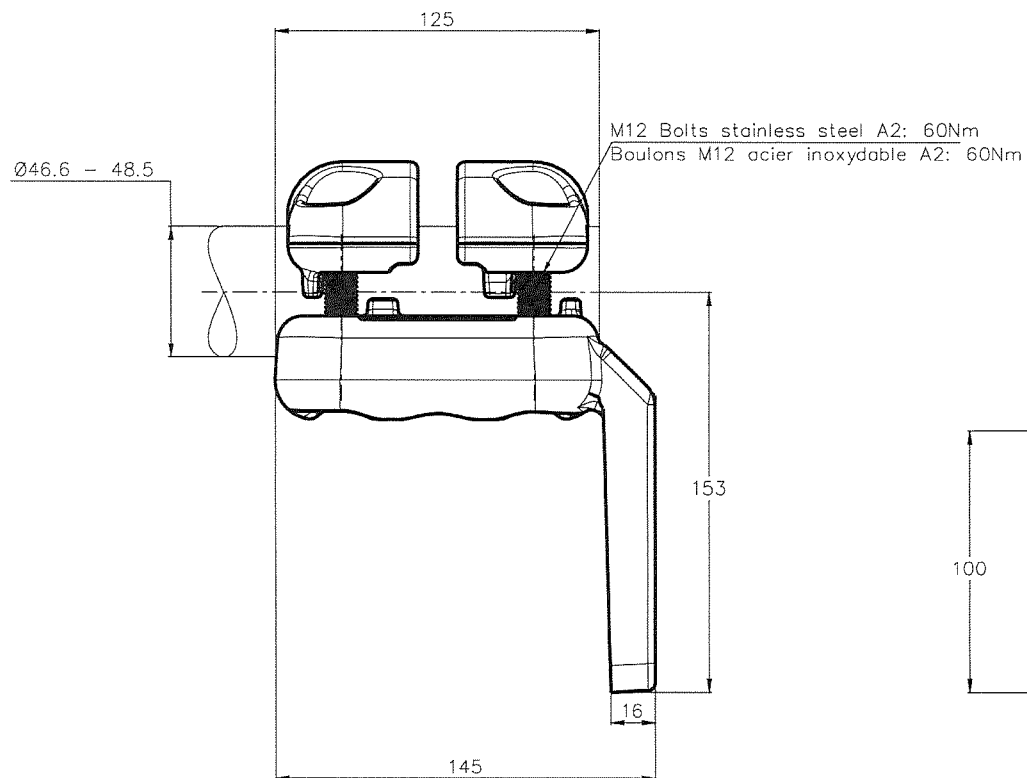
© - TE Connectivity. All Rights Reserved.

## REVISIONS

P	LTR	DESCRIPTION	DATE	OWN	APVD
	A	CREATION	5-MAR-20	GL	-



No scale  
Sans échelle



THIS DRAWING IS A CONTROLLED DOCUMENT.		OWN LAFORGE	5-MAR-20	TE Connectivity																		
DIMENSIONS: mm		CHK ---	---																			
TOLERANCES UNLESS OTHERWISE SPECIFIED:		APVD ---	---	NAME Pad connector for conductor Connecteur à plage pour câble 5 PE 82 L485 100																		
<table border="1"> <tr><td>0</td><td>PLC</td><td>± -</td></tr> <tr><td>1</td><td>PLC</td><td>± -</td></tr> <tr><td>2</td><td>PLC</td><td>± -</td></tr> <tr><td>3</td><td>PLC</td><td>± -</td></tr> <tr><td>4</td><td>PLC</td><td>± -</td></tr> <tr><td colspan="2">ANGLES</td><td>± -</td></tr> </table>		0	PLC	± -	1	PLC	± -	2	PLC	± -	3	PLC	± -	4	PLC	± -	ANGLES		± -	PRODUCT SPEC 108-69096-001	RESTRICTED TO ---	
0	PLC	± -																				
1	PLC	± -																				
2	PLC	± -																				
3	PLC	± -																				
4	PLC	± -																				
ANGLES		± -																				
MATERIAL ---		FINISH ---	APPLICATION SPEC ---	SIZE A3	CAGE CODE 00779																	
		WEIGHT 2.4 kg	DRAWING NO C=2370659	SCALE 1:2																		
		CUSTOMER DRAWING		SHEET 1 of 1	REV A																	