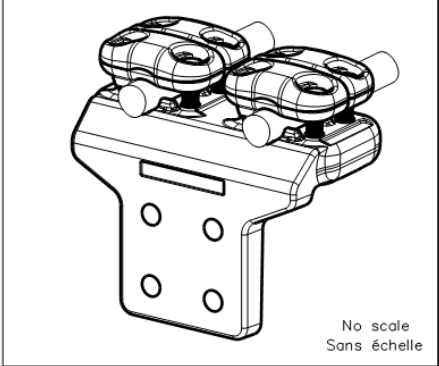
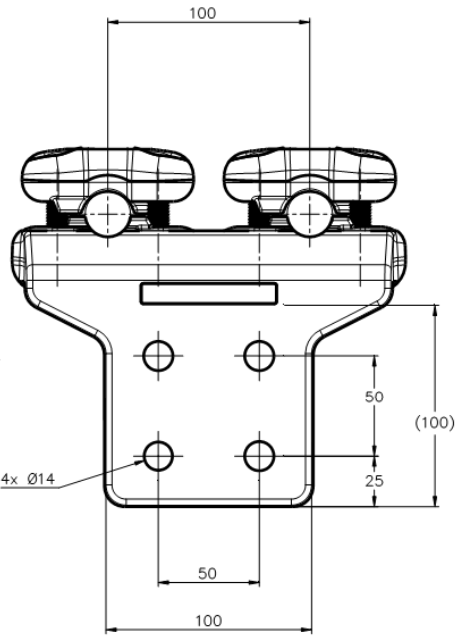
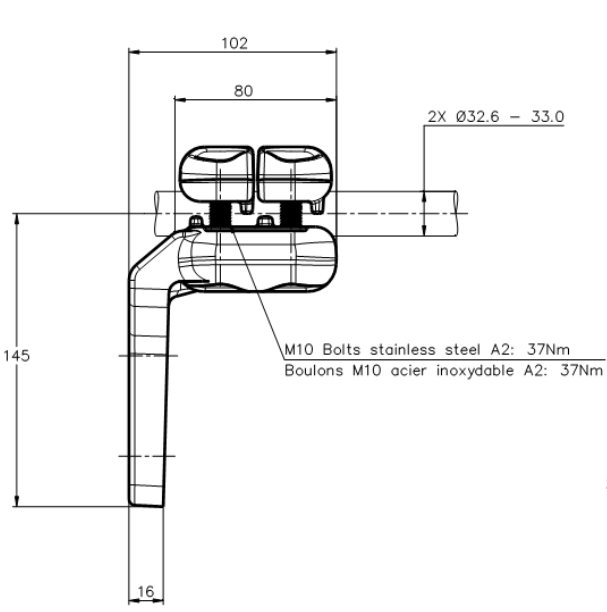


THIS DRAWING IS UNPUBLISHED. RELEASED FOR PUBLICATION
 © COPYRIGHT - By - ALL RIGHTS RESERVED.

REVISIONS					
P	LTR	DESCRIPTION	DATE	DWI	APVD
A		CREATION	30-JAN-20	GL	-



Current flow: 2000A maxi
 Courant transité: 2000A maxi

ITEM:.....

THIS DRAWING IS A CONTROLLED DOCUMENT.		DWI: LAFORGE	30-JAN-20	STE TE Connectivity	
DIMENSIONS: mm		CHK: -	APVD: -		
TOLERANCES UNLESS OTHERWISE SPECIFIED:		PRODUCT SPEC		NAME	
<ul style="list-style-type: none"> Ø PLC ± - 1 PLC ± - 2 PLC ± - 3 PLC ± - 4 PLC ± - ANGLES ± - 		108-69096-001		90° FLAT PAD FOR TWIN CONDUCTORS	
MATERIAL: -		APPLICATION SPEC: -		RACCORD FAISCEAU DOUBLE SUR PLAGE EQUERRE	
FINISH: -		APPROX. WEIGHT: 2.52 kg		5 PE 82 F S330 E100 100 C34	
		A3 00779		C=2368719	
		CUSTOMER DRAWING		RESTRICTED TO: -	
		SCALE: 1:2		SHEET: 1 of 1	
				REV: A	