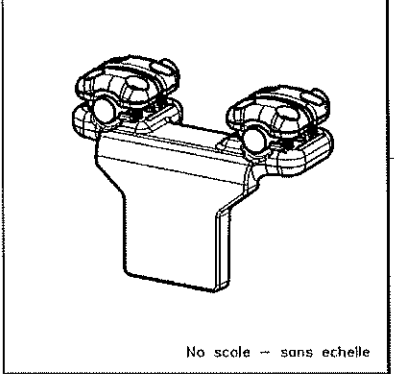
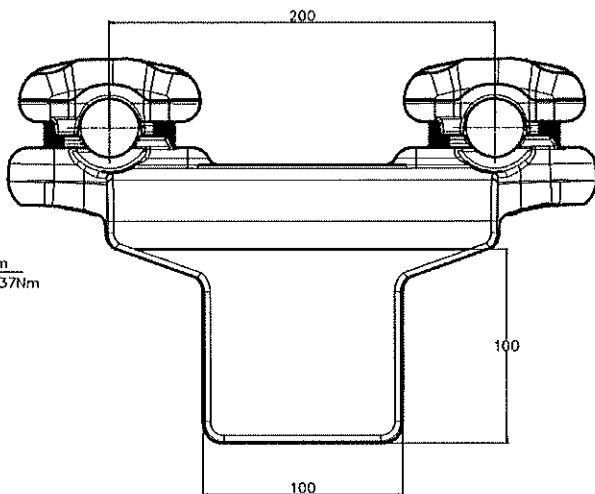
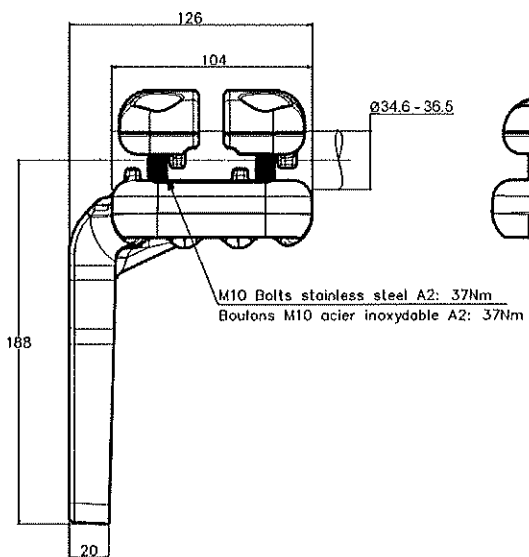


THIS DRAWING IS UNPUBLISHED. RELEASED FOR PUBLICATION
 © COPYRIGHT - By - ALL RIGHTS RESERVED

REVISIONS				
REV	CHR	DESCRIPTION	DATE	BY
A		CREATION	19FEV2019	RM



ITEM:..3.5..

THIS DRAWING IS A CONTROLLED DOCUMENT.		DRW: MIGNON	19FEV2019	TE Connectivity	
DIMENSIONS: mm		CHR: -	APD: -		
TOLERANCES UNLESS OTHERWISE SPECIFIED:		PRODUCT SPEC: 108-69096-001		5 PE 82 F M365 E200 100	
Ø PLC ± - P PLC ± - R PLC ± - S PLC ± - A PLC ± - ANGLES ± - FINISH -		APPLICATION SPEC: -		SIZE: A3	RESTRICTED TO: -
MATERIAL: -		APPROX WEIGHT: 3.42 kg		CAGE CODE: -	DRAWING NO: ©-2351727
		CUSTOMER DRAWING		SCALE: 1/2	SHEET: 1 of 1