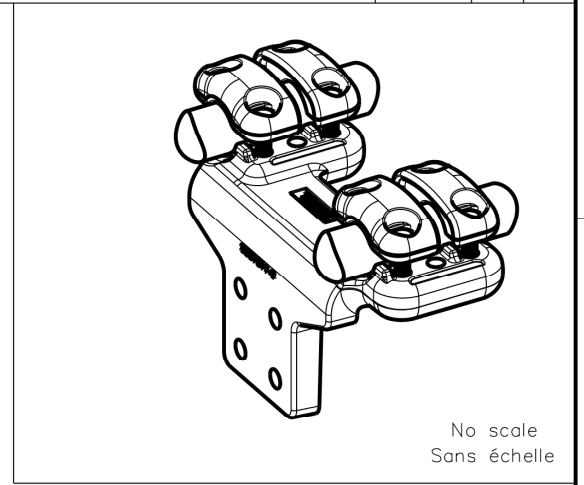
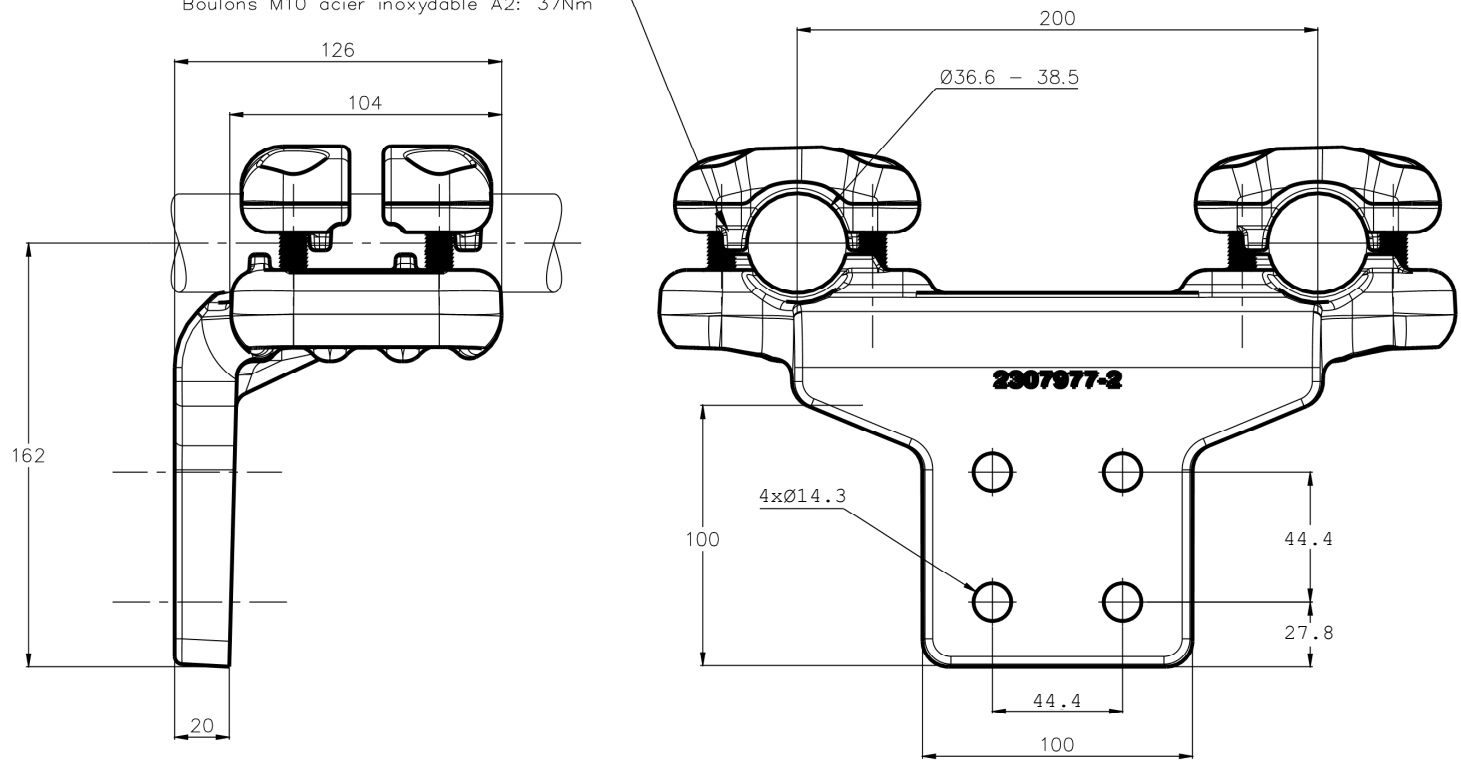


THIS DRAWING IS UNPUBLISHED. RELEASED FOR PUBLICATION
 © COPYRIGHT - By - ALL RIGHTS RESERVED.

REVISIONS					
P	LTR	DESCRIPTION	DATE	DWN	APVD
	A	CREATION	25-SEP-17	GL	-

M10 Bolts stainless steel A2: 37Nm
 Boulons M10 acier inoxydable A2: 37Nm



THIS DRAWING IS A CONTROLLED DOCUMENT.		DWN	25-SEP-17		TE Connectivity
		CHK	LAFORGE		
DIMENSIONS: mm		APVD	-		NAME
TOLERANCES UNLESS OTHERWISE SPECIFIED:		PRODUCT SPEC	108-69096-001		VERTICAL PAD CONNECTOR TO TWIN
1 PLC ± -		APPLICATION SPEC	-		RACCORD FAISCEAU DOUBLE SUR PLAGE EQUERRE
2 PLC ± -			SIZE	A3	5 PE 82 F' M345 E200 100 C290
3 PLC ± -			CAGE CODE	00779	DRAWING NO
4 PLC ± -				C-2325490	RESTRICTED TO
ANGLES ± -					
MATERIAL	FINISH	APPROX.WEIGHT	3.42 kg		SCALE
-	-	CUSTOMER DRAWING	1:2		SHEET
			1 OF 1		REV
			A		

ITEM:.....