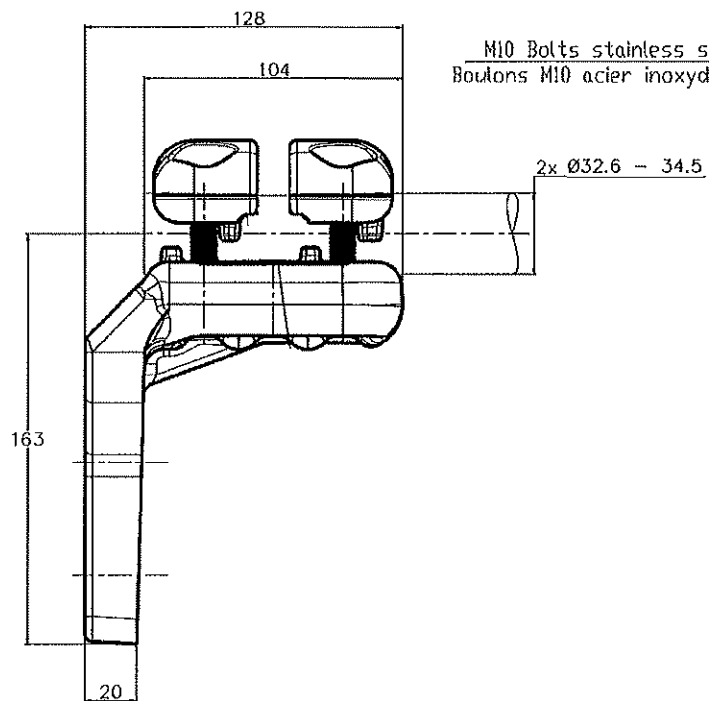
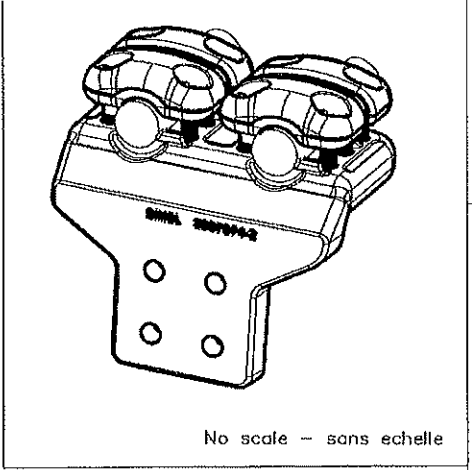
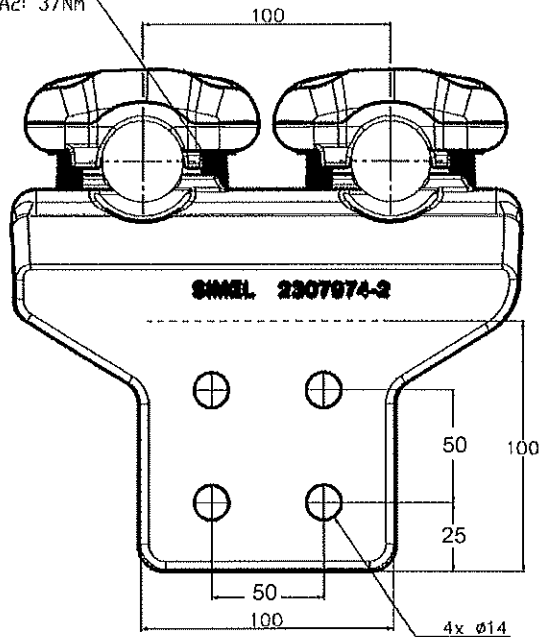


THIS DRAWING IS UNPUBLISHED. RELEASED FOR PUBLICATION
 © COPYRIGHT -- TE Connectivity ALL RIGHTS RESERVED.

REVISIONS				
P	LTR	DESCRIPTION	DATE	BY / APVD
A		CREATION	27-Jul-17	BH / -



M10 Bolts stainless steel A2: 37Nm
 Boulons M10 acier inoxydable A2: 37Nm



No scale - sans echelle

Item : 19

THIS DRAWING IS A CONTROLLED DOCUMENT.		DRN HUARD	27JUL2017	TE TE Connectivity														
DIMENSIONS: mm		CHK -	APVD -			NAME												
TOLERANCES UNLESS OTHERWISE SPECIFIED:		PRODUCT SPEC 108-69096--001		Pad connector for twin conductors Connecteur à plage pour faisceau double 5 PE 82 F M345 E100 100 C34														
<table border="0"> <tr><td>Ø PLC</td><td>± .</td></tr> <tr><td>R PLC</td><td>± .</td></tr> <tr><td>R PLC</td><td>± .</td></tr> <tr><td>S PLC</td><td>± .</td></tr> <tr><td>H PLC</td><td>± .</td></tr> <tr><td>ANGLES</td><td>± .</td></tr> <tr><td>FINISH</td><td>-</td></tr> </table>		Ø PLC	± .	R PLC	± .	R PLC	± .	S PLC	± .	H PLC	± .	ANGLES	± .	FINISH	-	APPLICATION SPEC -		RESTRICTED TO
Ø PLC	± .																	
R PLC	± .																	
R PLC	± .																	
S PLC	± .																	
H PLC	± .																	
ANGLES	± .																	
FINISH	-																	
MATERIAL -		WEIGHT kg	A3	CAGE CODE 00779	DRAWING NO ©-2323286													
CUSTOMER DRAWING			SCALE 1:2	SHEET 1 of 1	REV A													