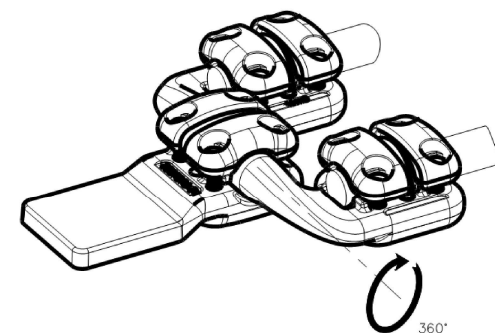
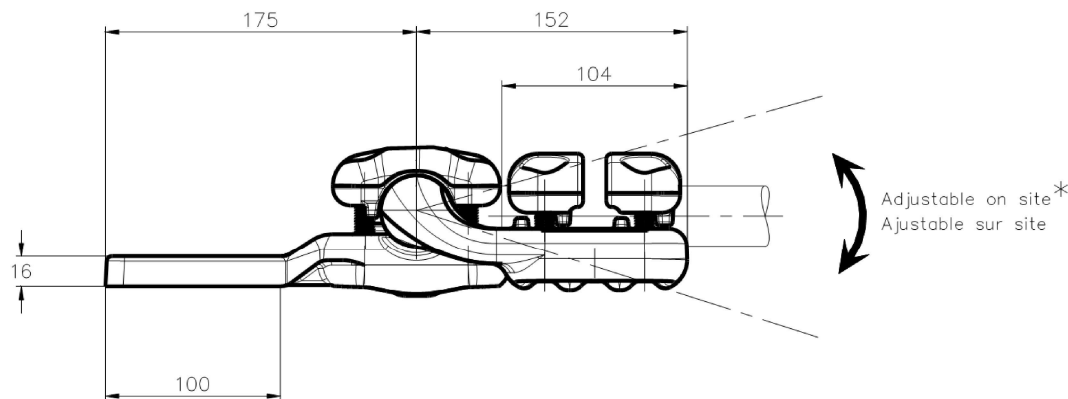
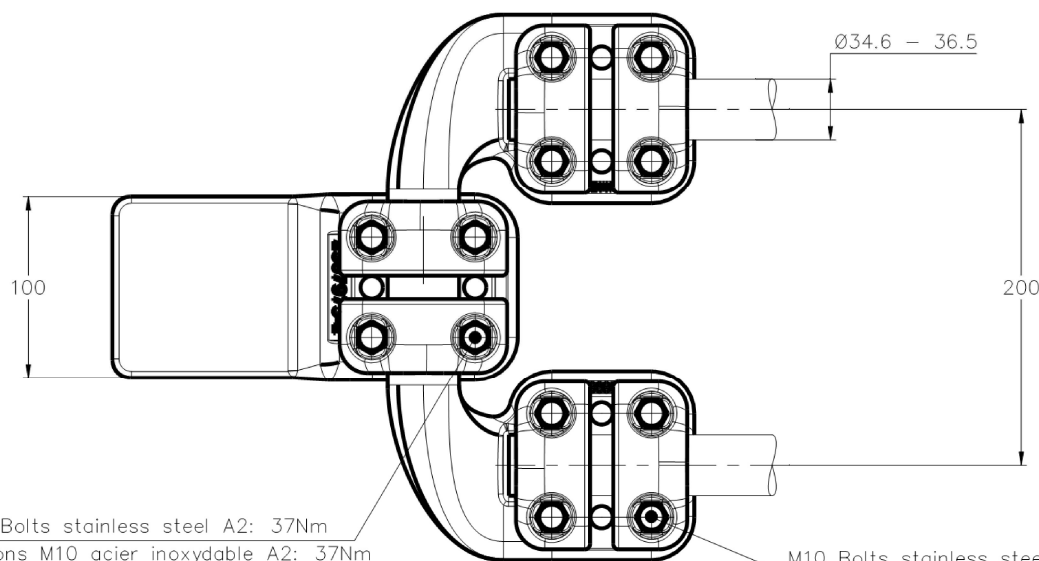


REVISIONS

P	LTR	DESCRIPTION	DATE	DWN	APVD
A		CREATION	13-AUG-20	MP	-



No scale
Sans échelle



* M10 Bolts stainless steel A2: 37Nm
Boulons M10 acier inoxydable A2: 37Nm

M10 Bolts stainless steel A2: 37Nm
Boulons M10 acier inoxydable A2: 37Nm

*
in case of loosening, contact surfaces must be cleaned and greased
Refer to installation instruction

En cas de desserrage, les surfaces de contact doivent être nettoyées et graissées
Se référer à la notice d'installation

ITEM:.....

THIS DRAWING IS A CONTROLLED DOCUMENT.		DWN PREVOT	13-AUG-20	STE TE Connectivity	
DIMENSIONS: mm		CHK -	APVD -		
TOLERANCES UNLESS OTHERWISE SPECIFIED:		PRODUCT SPEC 108-69096-001	APPLICATION SPEC -	SIZE A3	CAGE CODE 00779
MATERIAL -		FINISH -	WEIGHT 2.9 kg	DRAWING NO C=2378701	RESTRICTED TO -
0 PLC ± - 1 PLC ± - 2 PLC ± - 3 PLC ± - 4 PLC ± - ANGLES ± -		CUSTOMER DRAWING		SCALE 1:3	SHEET 1 of 1