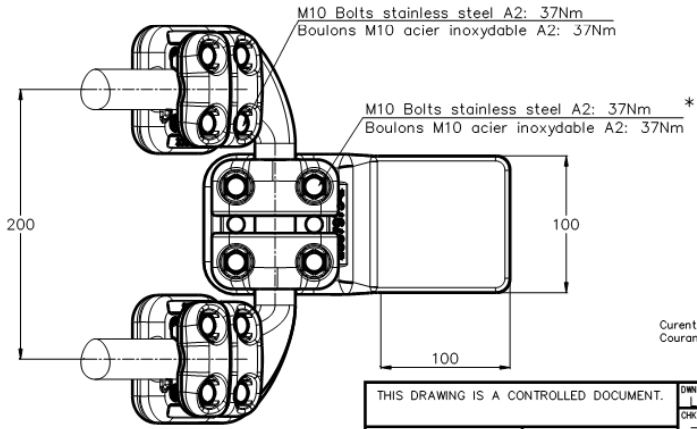
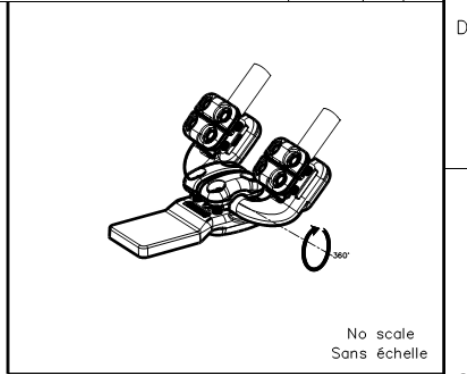
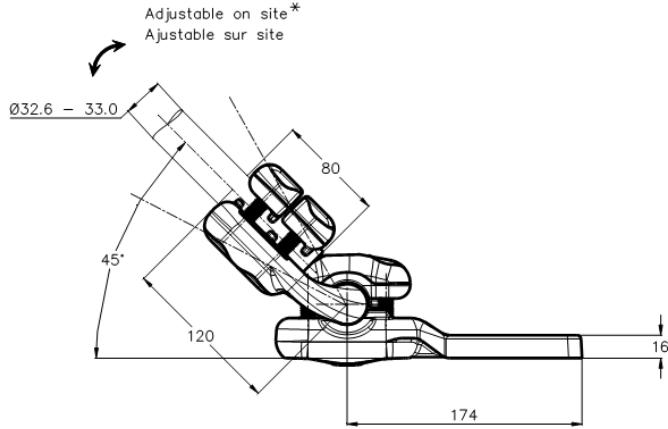


THIS DRAWING IS UNPUBLISHED. RELEASED FOR PUBLICATION  
 © COPYRIGHT - By - ALL RIGHTS RESERVED.

REVISIONS					
P	LTR	DESCRIPTION	DATE	DWI	APVD
A		CREATION	23-JAN-20	GL	-



\* In case of loosening, contact surfaces must be cleaned and greased. Refer to installation instruction.  
 En cas de desserrage, les surfaces de contact doivent être nettoyées et graissées. Se référer à la notice d'installation.

Current flow: 2000A maxi  
 Courant transité: 2000A maxi

ITEM:.....

THIS DRAWING IS A CONTROLLED DOCUMENT.		DWI LAFORGE	23-JAN-20	<b>STE</b> TE Connectivity	
DIMENSIONS: mm		CHK -	APVD -		
TOLERANCES UNLESS OTHERWISE SPECIFIED:		PRODUCT SPEC		NAME	
0 PLC ± -		108-69096-001		ADJUSTABLE CONNECTORS FOR TWIN CONDUCTORS TO FLAT PALM	
1 PLC ± -		APPLICATION SPEC		RACCORD AJUSTABLE POUR FAISCEAU DOUBLE SUR PLAGE	
2 PLC ± -		APPROX. WEIGHT 3.86 kg		5 PDA 45 82 F S330 E200 100	
3 PLC ± -		CUSTOMER DRAWING		SIZE A3	CAGE CODE 00779
4 PLC ± -		SCALE 1:3		DRAWING NO C=2368404	RESTRICTED TO -
ANGLES ± -		SHEET 1 of 1		REV A	
MATERIAL -		FINISH -			