

4

3

2

1

THIS DRAWING IS UNPUBLISHED.

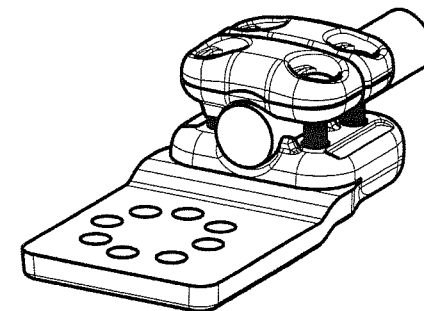
RELEASED FOR PUBLICATION

ALL RIGHTS RESERVED.

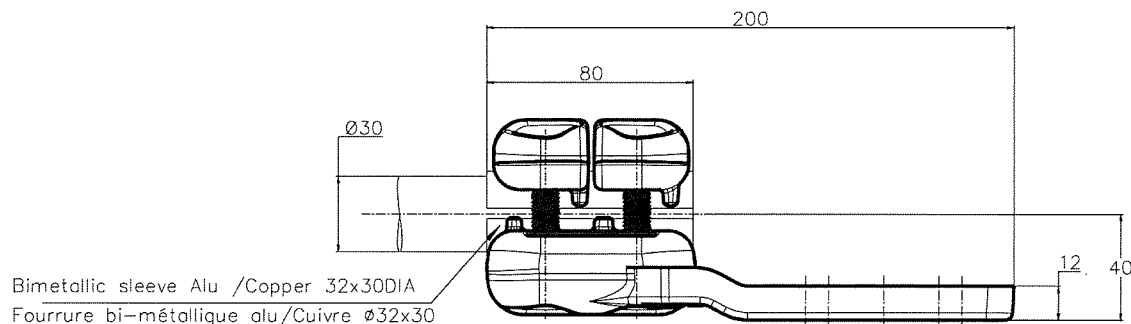
© COPYRIGHT - By -

REVISIONS

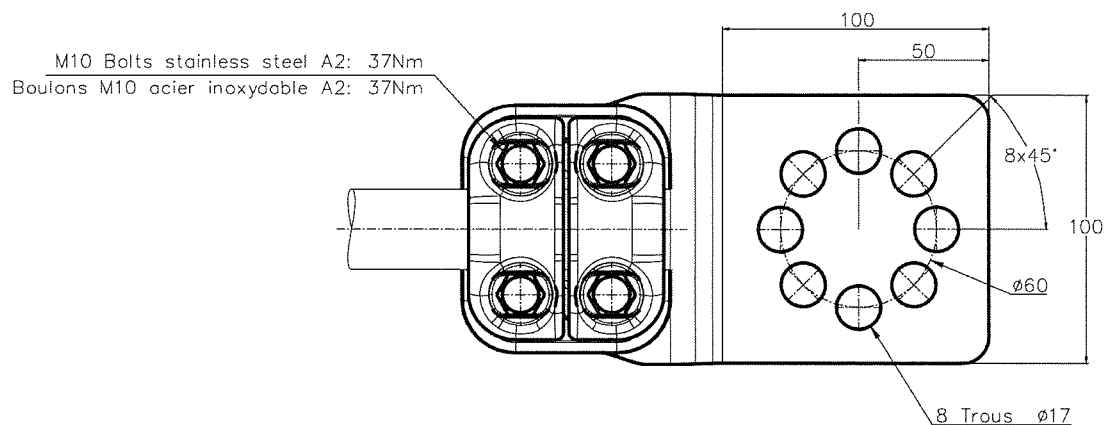
P	LTR	DESCRIPTION	DATE	DWN	APVD
A		CREATION	26-SEP-18	GL	-



No scale - sans echelle



Bimetallic sleeve Alu /Copper 32x30D1A
 Fourrure bi-métallique alu/Cuivre ø32x30



M10 Bolts stainless steel A2: 37Nm
 Boulons M10 acier inoxydable A2: 37Nm

THIS DRAWING IS A CONTROLLED DOCUMENT.		DWN	26-SEP-18				
		CHK	LAFORGE				
DIMENSIONS:		APVD		NAME			
mm		---		STRAIGHT CONNECTOR TO FLAT PALM RACCORD DROIT SUR PLAGE			
		PRODUCT SPEC		5 PD 82 SK305 100 E31			
		APPLICATION SPEC		108-69096-001			
MATERIAL		APPROX. WEIGHT		SIZE	CAGE CODE	DRAWING NO	RESTRICTED TO
---		1.5 kg		A3	-	C-2344280	-
		CUSTOMER DRAWING		SCALE	SHEET	REV	
				1/2	1 OF 1	A	

ITEM:.....