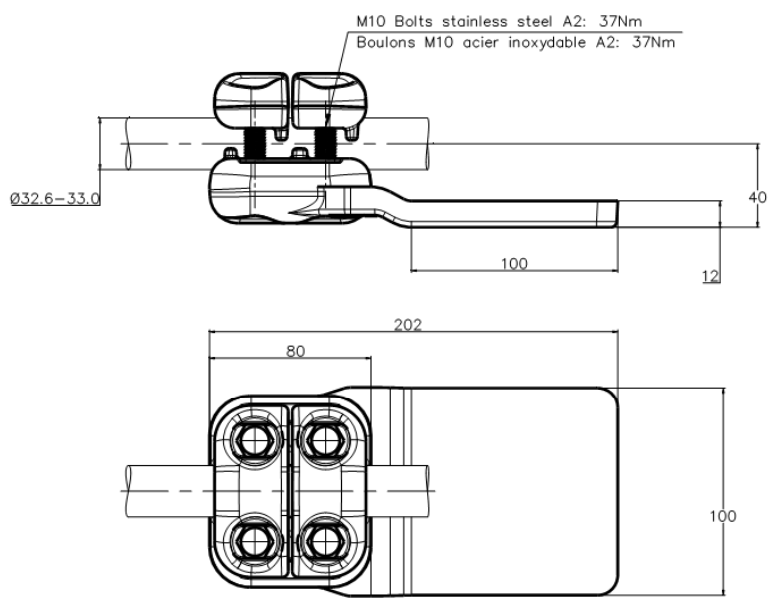
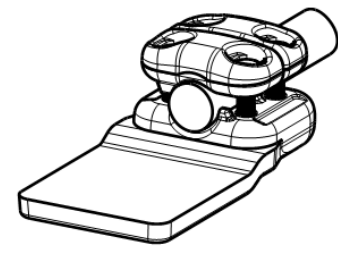


THIS DRAWING IS UNPUBLISHED. RELEASED FOR PUBLICATION
 © COPYRIGHT - By - ALL RIGHTS RESERVED.

REVISIONS					
P	LTR	DESCRIPTION	DATE	DWI	APVD
A		CREATION	23-JAN-20	GL	-



Current flow: 1000A maxi
 Courant transité: 1000A maxi

ITEM:.....

THIS DRAWING IS A CONTROLLED DOCUMENT.		DWI: LAFORGE	23-JAN-20	STE TE Connectivity	
DIMENSIONS: mm		CHK: -	APVD: -		
TOLERANCES UNLESS OTHERWISE SPECIFIED:		PRODUCT SPEC		NAME	
<ul style="list-style-type: none"> Ø PLC ± - 1 PLC ± - 2 PLC ± - 3 PLC ± - 4 PLC ± - ANGLES ± - 		108-69096-001		CONNECTOR FOR CABLE TO PAD RACCORD A PLACE POUR CABLE 5 PD 82 S330 100	
MATERIAL: -		APPLICATION SPEC: -		SIZE: A3	CAGE CODE: 00779
FINISH: -		APPROX. WEIGHT: 1.1 kg		DRAWING NO: C=2368407	RESTRICTED TO: -
CUSTOMER DRAWING				SCALE: 1:2	SHEET: 1 of 1