

4

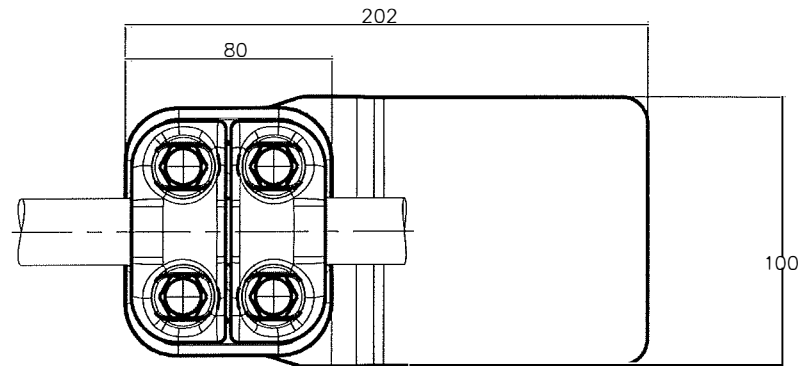
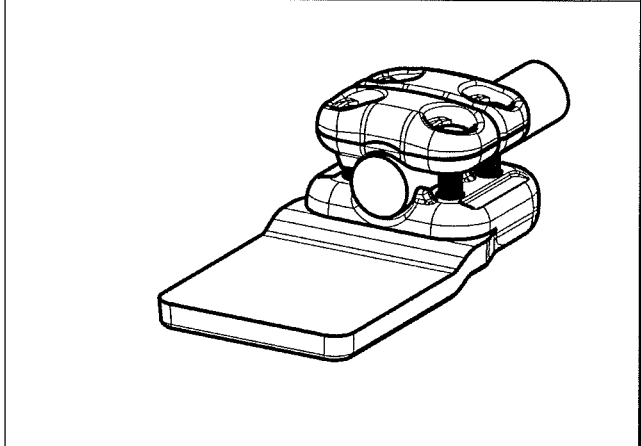
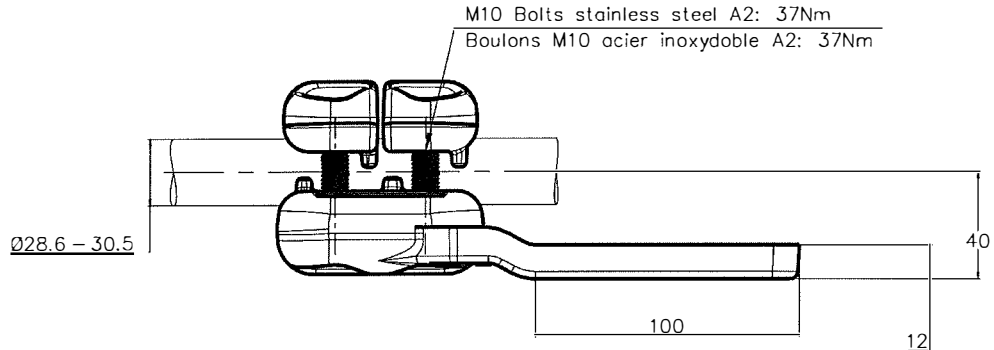
3

2

1

THIS DRAWING IS UNPUBLISHED. RELEASED FOR PUBLICATION
 © COPYRIGHT - By - ALL RIGHTS RESERVED.

REVISIONS				
P	LTR	DESCRIPTION	DATE	APVD
A		CREATION	11-SEP-17	GL



THIS DRAWING IS A CONTROLLED DOCUMENT.		OWN LAFORGE	11-Sep-17	TE TE Connectivity													
DIMENSIONS: mm		CHK -	APVD -			NAME CONNECTOR FOR CABLE TO PAD RACCORD A PLAGE POUR CABLE 5 PD 82 S305 100											
TOLERANCES UNLESS OTHERWISE SPECIFIED:		PRODUCT SPEC 108-69096--001		SIZE A3	CAGE CODE 00779												
<table border="1"> <tr><td>0 PLC</td><td>± -</td></tr> <tr><td>1 PLC</td><td>± -</td></tr> <tr><td>2 PLC</td><td>± -</td></tr> <tr><td>3 PLC</td><td>± -</td></tr> <tr><td>4 PLC</td><td>± -</td></tr> <tr><td>ANGLES</td><td>± -</td></tr> </table>		0 PLC	± -	1 PLC	± -	2 PLC	± -	3 PLC	± -	4 PLC	± -	ANGLES	± -	APPLICATION SPEC -		DRAWING NO	RESTRICTED TO
0 PLC	± -																
1 PLC	± -																
2 PLC	± -																
3 PLC	± -																
4 PLC	± -																
ANGLES	± -																
MATERIAL -		FINISH -		APPROX. WEIGHT 1.1 kg	SCALE 1:2												
CUSTOMER DRAWING				SHEET 1 OF 1	REV A												

ITEM:

D

C

B

A