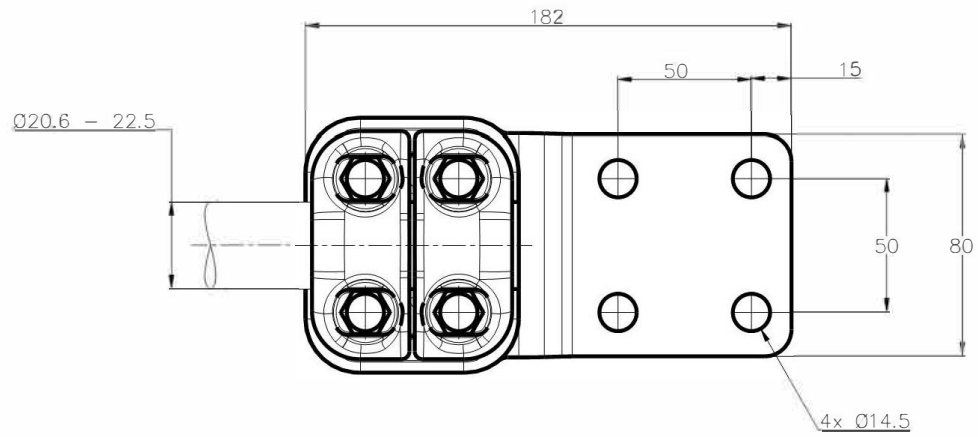
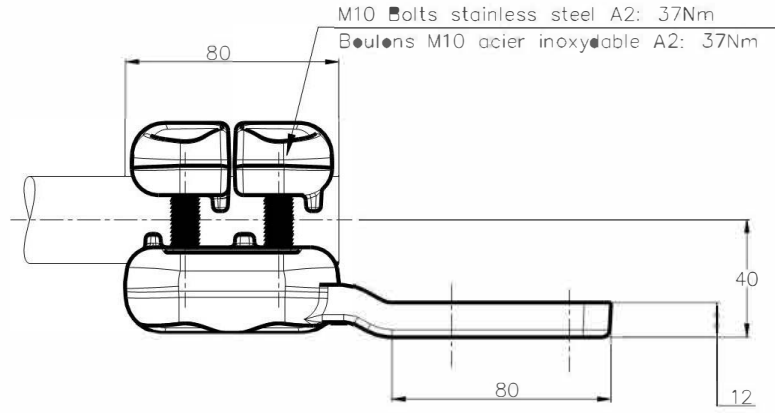


THIS DRAWING IS UNPUBLISHED
 RELEASED FOR PUBLICATION
 ALL RIGHTS RESERVED.

REVISIONS					
P	LTR	DESCRIPTION	DATE	OWN	APVD
A		CREATION	15-MAY-18	GL	-



ITEM: 1

THIS DRAWING IS A CONTROLLED DOCUMENT.		DWN LAForge	15-MAY-18	TE TE Connectivity	
DIMENSIONS: mm		CHK	-		
TOLERANCES UNLESS OTHERWISE SPECIFIED:		APVD	-	NAME STRAIGHT CONNECTOR TO FLAT PALM CONNECTEUR DROIT SUR PLAGE	
1 PLC ± -		PRODUCT SPEC.	108-9096-001	5 PD 82 S225 80 C35	
2 PLC ± -		APPLICATION SPEC.	-	SIZE	A3
3 PLC ± -		APPROX. WEIGHT	1.1 kg	CAGE CODE	A
4 PLC ± -		CUSTOMER DRAWING	-	DRAWING NC	C=2336788
ANGLES ± -		SCALE	1:2	SHEET	1 OF 1
MATERIAL		FINISH	-	RESTRICTED TO	-
FINISH		REV	A		