

THIS DRAWING IS UNPUBLISHED

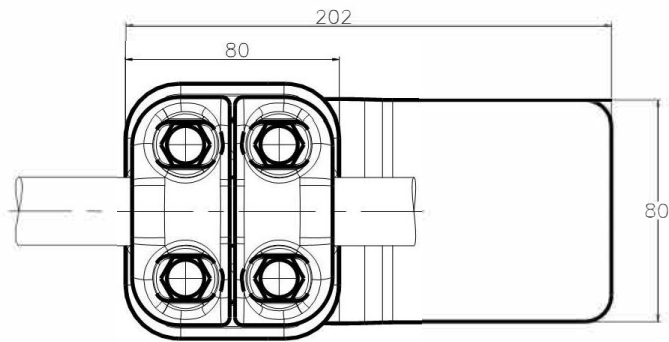
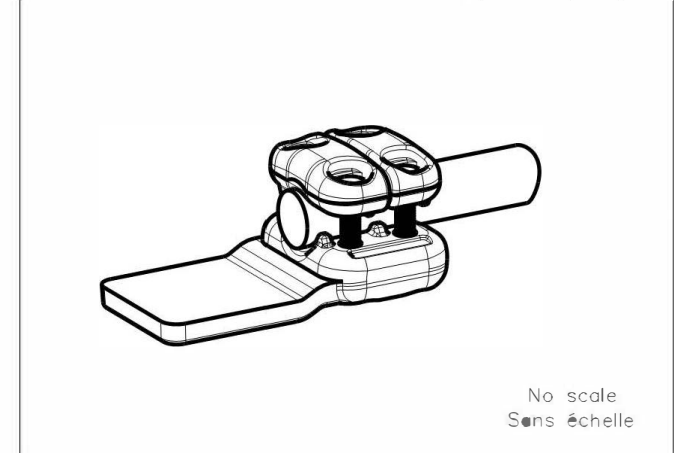
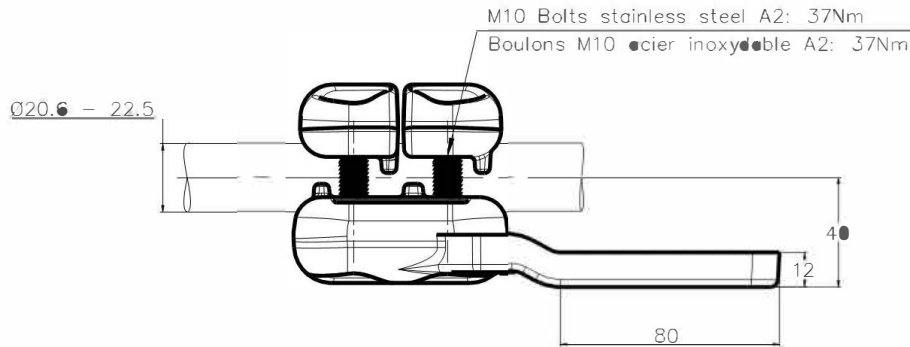
RELEASED FOR PUBLICATION

© COPYRIGHT - By -

ALL RIGHTS RESERVED

REVISIONS

P	LTR	DESCRIPTION	DATE	DWN	APVD
A		CREATION	17-NOV-17	BH	-



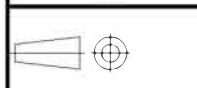
THIS DRAWING IS A CONTROLLED DOCUMENT.

DWN HUARD 17-Nov-17



DIMENSIONS: mm

TOLERANCES UNLESS OTHERWISE SPECIFIED:



- 1. PLC ± -
- 2. PLC ± -
- 3. PLC ± -
- 4. PLC ± -
- ANGLES ± -

MATERIAL

FINISH

CHK -

APVD -

PRODUCT SPEC

108-69096-001

APPLICATION SPEC

APPROX. WEIGHT 1 kg

NAME CONNECTOR FOR CABLE TO PAD
RACCORD A PLAGE POUR CABLE
5 PD 82 S225 80

SIZE 3 CAGE CODE 00779 DRAWING NO. C=2327925 RESTRICTED TO -

CUSTOMER DRAWING SCALE 1:2 SHEET 1 OF 1 REV A

ITEM: