

4

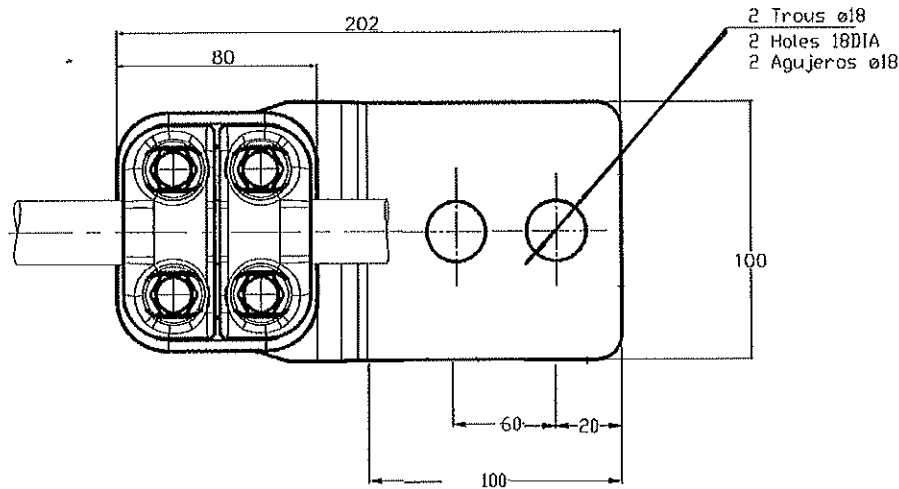
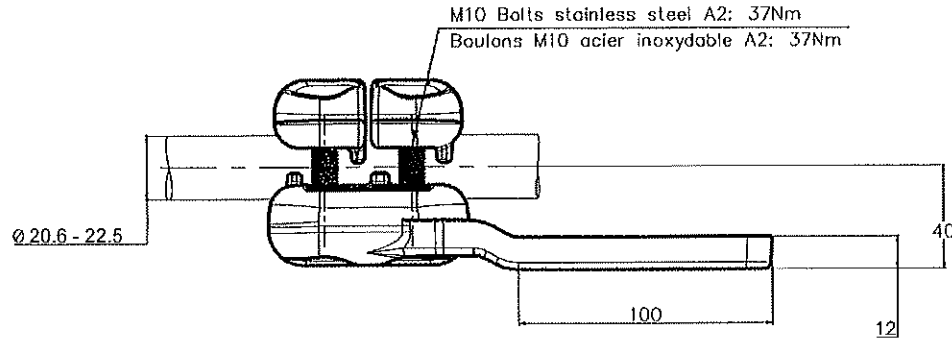
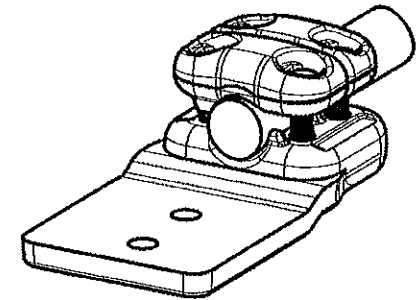
3

2

1

THIS DRAWING IS UNPUBLISHED. RELEASED FOR PUBLICATION
 © COPYRIGHT -- By -- ALL RIGHTS RESERVED.

REVISIONS				
P	LTR	DESCRIPTION	DATE	APP
A		CREATION	21-MAR-18	CL



ITEM: 1.....

THIS DRAWING IS A CONTROLLED DOCUMENT.		DRW LAFORGE	21-MAR-18	TE Connectivity CONNECTOR FOR CABLE TO PAD RACCORD A PLAGE POUR CABLE 5 PD 82 S225 100 C892			
DIMENSIONS: mm		CHK ---	---			HAVE PRODUCT SPEC 10B-69096-001 APPLICATION SPEC ---	
		TOLERANCES UNLESS OTHERWISE SPECIFIED: 3 PLC ± - 1 PLC ± - 2 PLC ± - 3 PLC ± - 1 PLC ± - RINGS ± -		SIZE A3	PAGE CODE 00779	DRAWING NO C=2331130	RESTRICTED TO ---
MATERIAL -		FINISH -		APPROX WEIGHT 1.1 kg	SCALE 1:2	SHEET 1 of 1	REV A
CUSTOMER DRAWING							