

4

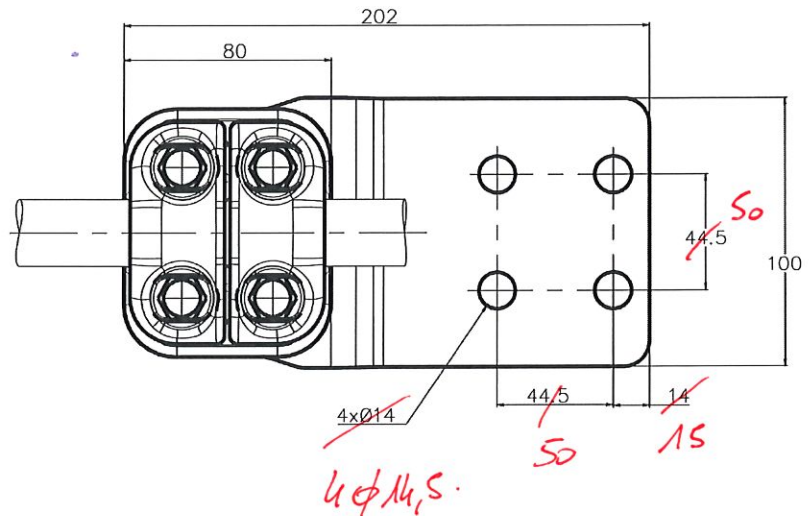
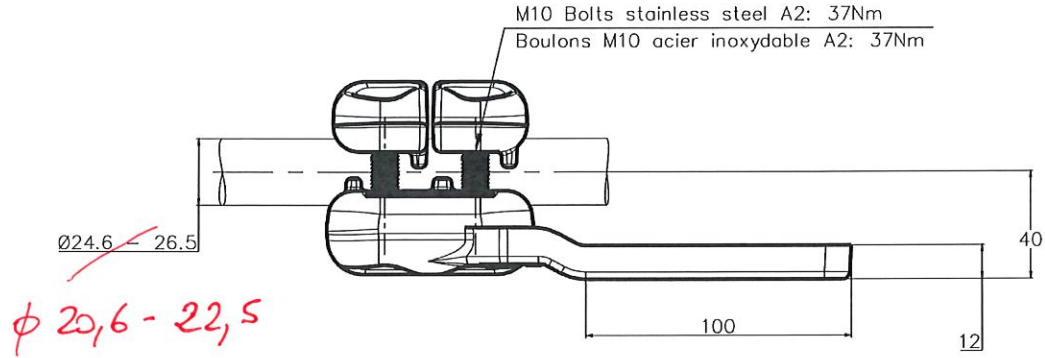
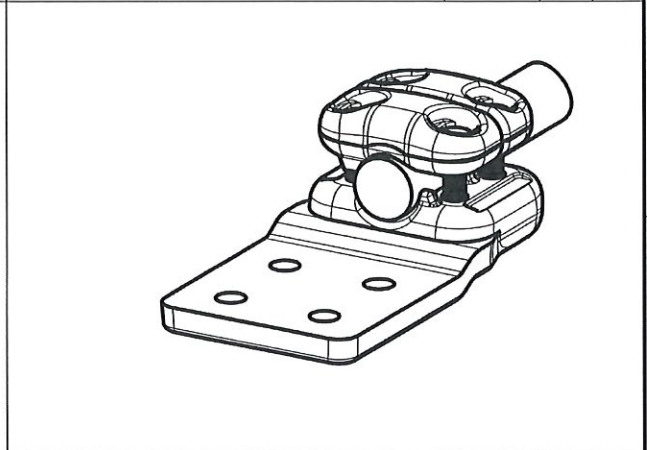
3

2

1

THIS DRAWING IS UNPUBLISHED. RELEASED FOR PUBLICATION
 (C) COPYRIGHT - By - ALL RIGHTS RESERVED.

REVISIONS				
P	LIR	DESCRIPTION	DATE	APVD
	A	CREATION	21-MAR-18	GL



THIS DRAWING IS A CONTROLLED DOCUMENT.		DWN LAFORGE	21-MAR-18		
DIMENSIONS: mm		CHK -	APVD -		
		TOLERANCES UNLESS OTHERWISE SPECIFIED: 0 PLC ± - 1 PLC ± - 2 PLC ± - 3 PLC ± - 4 PLC ± - ANGLES ± -		NAME CONNECTOR FOR CABLE TO PAD RACCORD A PLAGE POUR CABLE 5 PD 82 S265 100 C953-	
MATERIAL		APPROX. WEIGHT 1.1 kg		SIZE A3	RESTRICTED TO
FINISH		CUSTOMER DRAWING		CAGE CODE 00779	DRAWING NO C-2331130
ITEM: <i>4</i>		SCALE 1:2		SHEET 1 OF 1	REV A

ITEM: *4*