

4

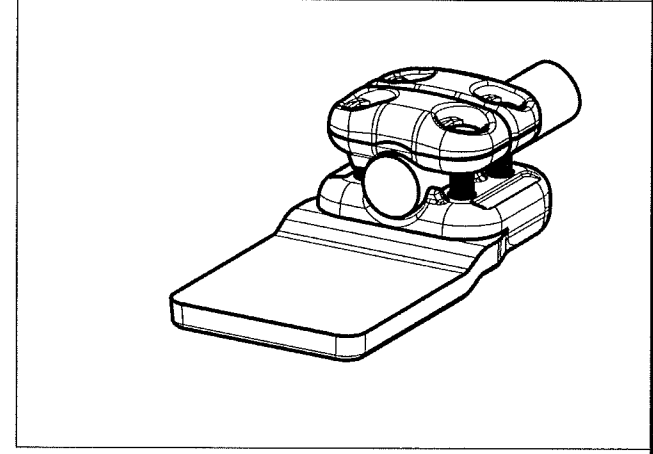
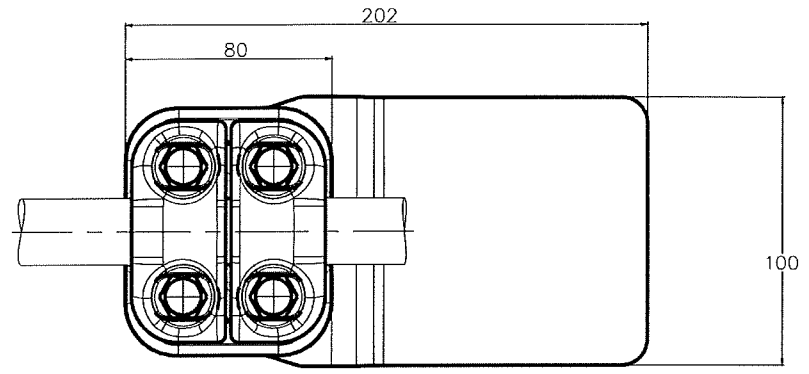
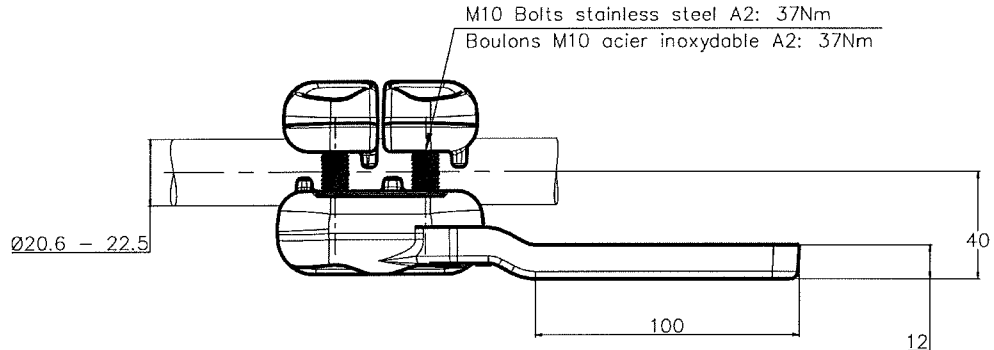
3

2

1

THIS DRAWING IS UNPUBLISHED. RELEASED FOR PUBLICATION  
 © COPYRIGHT - By - ALL RIGHTS RESERVED.

REVISIONS				
P	LTR	DESCRIPTION	DATE	APVD
A		CREATION	11-SEP-17	GL



THIS DRAWING IS A CONTROLLED DOCUMENT.		OWN LAFORGE	11-Sep-17		
DIMENSIONS: mm		CHK -	APVD -		
TOLERANCES UNLESS OTHERWISE SPECIFIED:		PRODUCT SPEC 108-69096--001		NAME CONNECTOR FOR CABLE TO PAD RACCORD A PLAGE POUR CABLE 5 PD 82 S225 100	
		APPLICATION SPEC -		SIZE A3	CAGE CODE 00779
MATERIAL -		APPROX. WEIGHT 1.1 kg		DRAWING NO C-2324842	
FINISH -		CUSTOMER DRAWING		RESTRICTED TO -	SCALE 1:2
				SHEET 1 OF 1	REV A

ITEM: 3