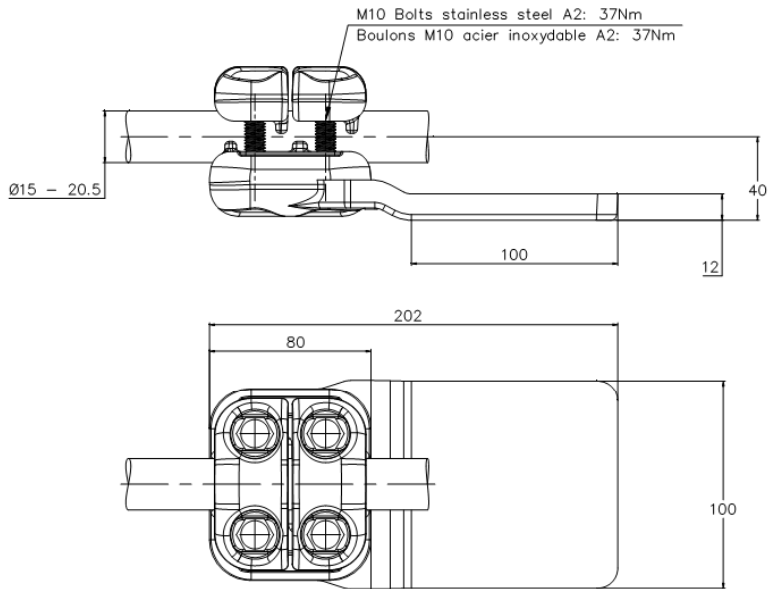
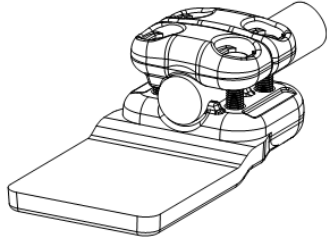


THIS DRAWING IS UNPUBLISHED. RELEASED FOR PUBLICATION
 © COPYRIGHT - By - ALL RIGHTS RESERVED.

REVISIONS					
P	LTR	DESCRIPTION	DATE	DWN	APVD
A		CREATION	31-OCT-18	GL	-



THIS DRAWING IS A CONTROLLED DOCUMENT.		DWN: LAFORGE 31-OCT-18	TE Connectivity		
DIMENSIONS: mm		CHK: -			
TOLERANCES UNLESS OTHERWISE SPECIFIED: 0 PLC ± - 1 PLC ± - 2 PLC ± - 3 PLC ± - 4 PLC ± - ANGLES ± -		APVD: -	NAME: CONNECTOR FOR CABLE TO PAD RACCORD A PLACE POUR CABLE 5 PD 82 S205 100		
		PRODUCT SPEC: 108-69096-001	RESTRICTED TO: -		
MATERIAL: -		APPLICATION SPEC: -	SIZE: A3	CAGE CODE: 00779	DRAWING NO: C=2345615
FINISH: -		APPROX. WEIGHT: 1.1 kg	CUSTOMER DRAWING		SCALE: 1:2
ITEM:.....		SHEET: 1 of 1		REV: A	