

4

3

2

1

THIS DRAWING IS UNPUBLISHED.

RELEASED FOR PUBLICATION

© COPYRIGHT - By -

ALL RIGHTS RESERVED.

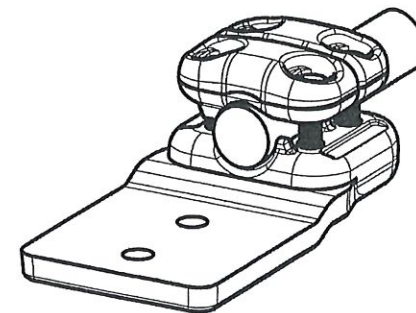
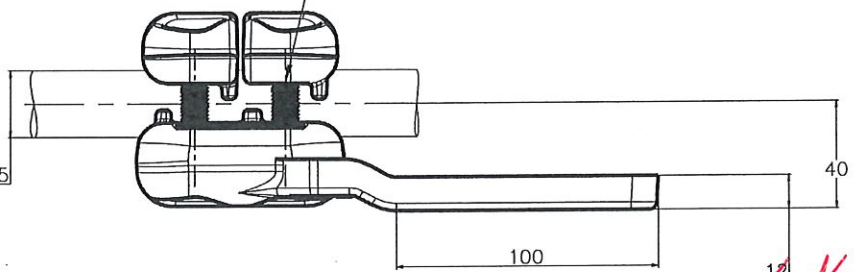
REVISIONS

P	LTR	DESCRIPTION	DATE	DM	APVD
A		CREATION	15-MAY-18	GL	-

*φ40*

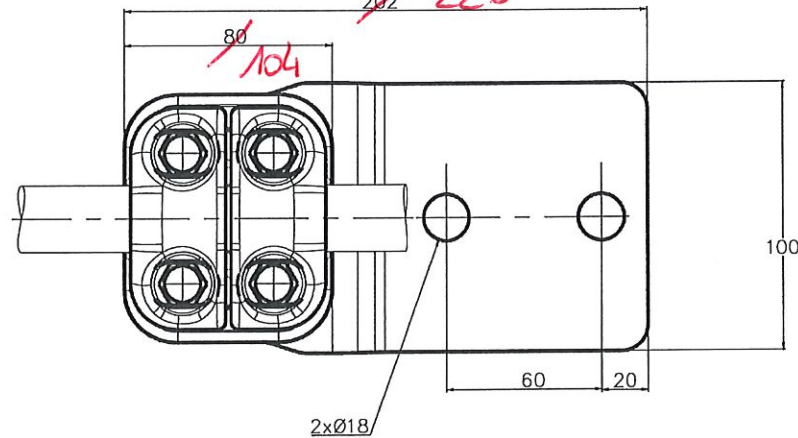
M10 Bolts stainless steel A2: 37Nm  
Boulons M10 acier inoxydable A2: 37Nm

~~Ø20.6~~ 22.5



*16*

~~202~~ *225*



~~80~~ *104*

100

THIS DRAWING IS A CONTROLLED DOCUMENT.		DM: LAFORGE	15-MAY-18		
DIMENSIONS: mm		CHK: -	APVD: -		
TOLERANCES UNLESS OTHERWISE SPECIFIED:		PRODUCT SPEC	108-69096-001	SIZE: A3	CAGE CODE: 00779
<ul style="list-style-type: none"> <li>0 PLC ± -</li> <li>1 PLC ± -</li> <li>2 PLC ± -</li> <li>3 PLC ± -</li> <li>4 PLC ± -</li> <li>ANGLES ± -</li> </ul>		APPLICATION SPEC	-	DRAWING NO: <i>11405</i>	RESTRICTED TO: -
MATERIAL: -		APPROX. WEIGHT: <del>1.1</del> kg	C=2336787	SCALE: 1:2	
FINISH: -		CUSTOMER DRAWING		SHEET: 1 of 1	REV: A

ITEM: *4*