

4

3

2

1

THIS DRAWING IS UNPUBLISHED.

RELEASED FOR PUBLICATION

ALL RIGHTS RESERVED.

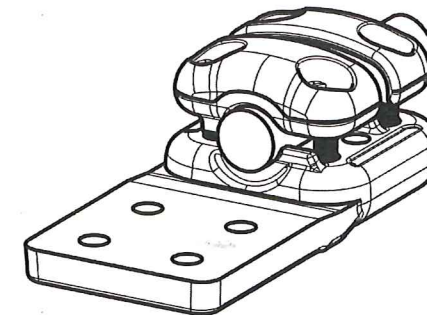
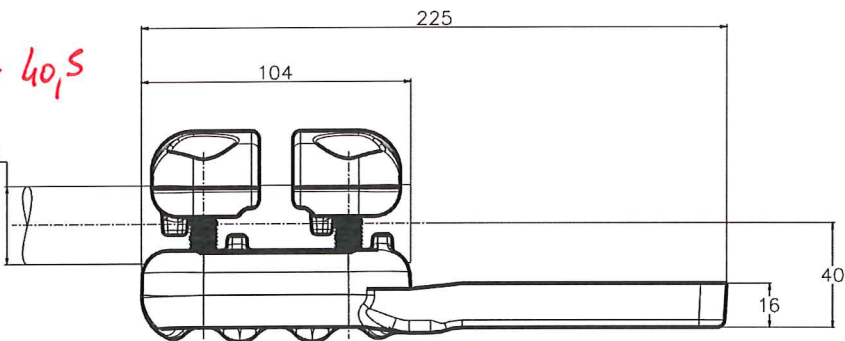
© COPYRIGHT - By -

REVISIONS

P	LTR	DESCRIPTION	DATE	DW	APVD
A		CREATION	20-Fev-17	TC	-

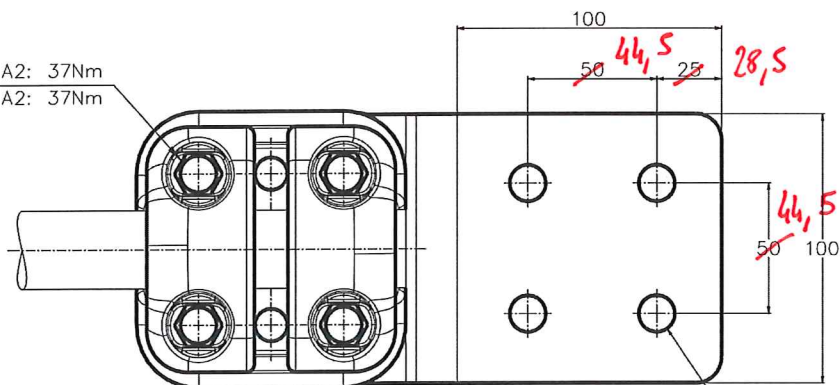
$\phi 38,6 - 40,5$

$\phi 36,6 - 38,5$



No scale - sans echelle

M10 Bolts stainless steel A2: 37Nm
Boulons M10 acier inoxydable A2: 37Nm



4 Trous $\phi 14$

THIS DRAWING IS A CONTROLLED DOCUMENT.		DW CHARTON	20-Fev-17	STE TE Connectivity	
DIMENSIONS: mm		CHK -	APVD -		
TOLERANCES UNLESS OTHERWISE SPECIFIED:		PRODUCT SPEC		NAME Pad connector for single conductor Connecteur à plaque pour faisceau simple	
0 PLC ± -		108-69096-001		5 PD 82 M385 100 C34 C245	
1 PLC ± -		APPLICATION SPEC		RESTRICTED TO	
2 PLC ± -		SIZE	CAGE CODE	DRAWING NO	
3 PLC ± -		APPROX. WEIGHT		C=2314461	
4 PLC ± -		1.5 kg	A3		
ANGLES ± -		CUSTOMER DRAWING		SCALE	1/2
MATERIAL	FINISH			SHEET	1 OF 1
-	-			REV	A

ITEM: S