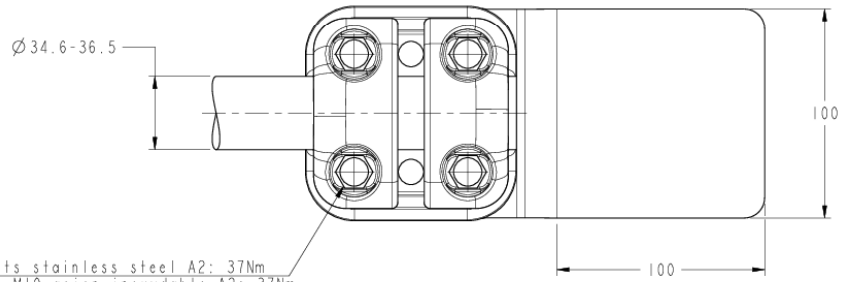
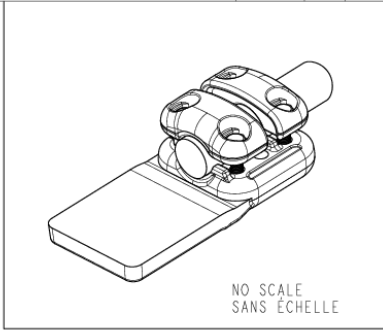
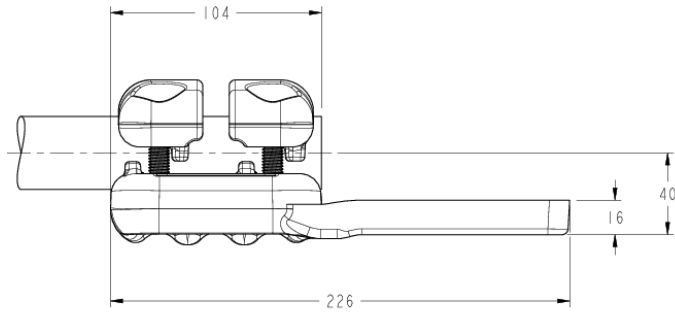


© 2021 TE Connectivity. All Rights Reserved.

REVISIONS					
P	LTR	DESCRIPTION	DATE	DWN	APVD
A		CREATION	08MAY2023	RS	CG



M10 Bolts stainless steel A2: 37Nm
Boulons M10 acier inoxydable A2: 37Nm

THIS DRAWING IS A CONTROLLED DOCUMENT.		DWN RAVI S	08MAY2023	STE TE Connectivity													
		CHK M PREVOT	08MAY2023														
		APVD C GLOMMEAU	08MAY2023	NAME PAD CONNECTOR FOR SINGLE CONDUCTOR CONNECTEUR A PLAGE POUR FAISCEAU SIMPLE													
DIMENSIONS: mm		TOLERANCES UNLESS OTHERWISE SPECIFIED:		PRODUCT SPEC 108-69096-001													
<table border="1"> <tr><td>0 PLC</td><td>±-</td></tr> <tr><td>1 PLC</td><td>±-</td></tr> <tr><td>2 PLC</td><td>±-</td></tr> <tr><td>3 PLC</td><td>±-</td></tr> <tr><td>4 PLC</td><td>±-</td></tr> <tr><td>ANGLES</td><td>±-</td></tr> </table>		0 PLC	±-	1 PLC	±-	2 PLC	±-	3 PLC	±-	4 PLC	±-	ANGLES	±-	APPLICATION SPEC		SIZE CAGE CODE DRAWING NO A3 00779 C=2461296	
0 PLC	±-																
1 PLC	±-																
2 PLC	±-																
3 PLC	±-																
4 PLC	±-																
ANGLES	±-																
MATERIAL -		FINISH -		RESTRICTED TO -													
		WEIGHT 1.6 kg		SCALE 1:2 SHEET OF 1 REV A													
		CUSTOMER DRAWING															