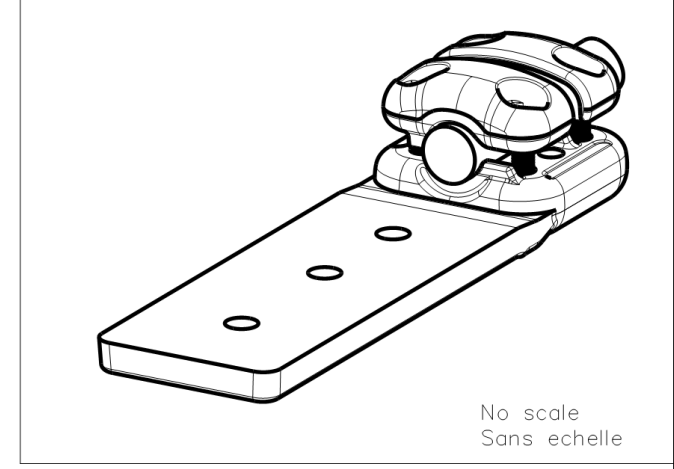
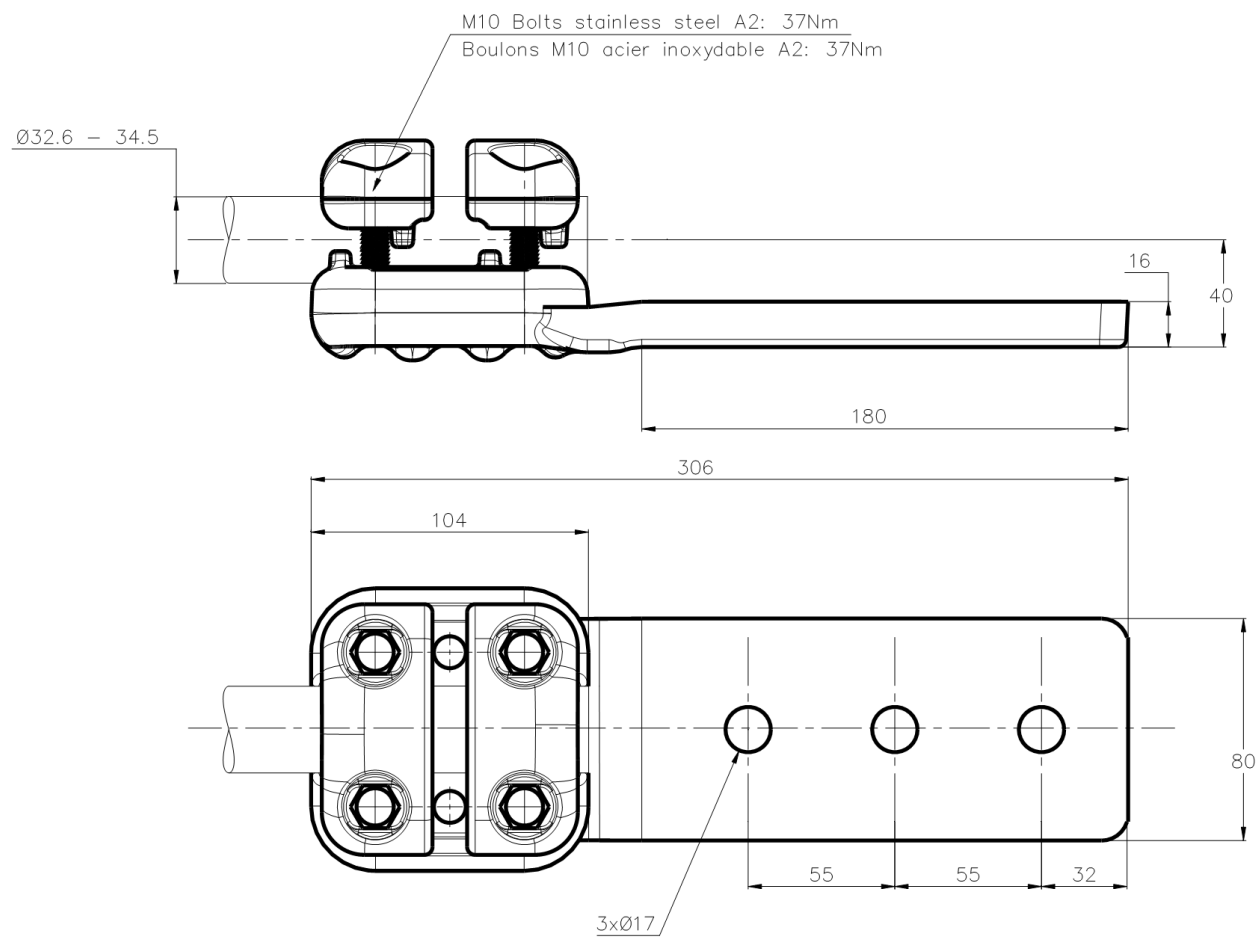


THIS DRAWING IS UNPUBLISHED. RELEASED FOR PUBLICATION
 © COPYRIGHT - By - ALL RIGHTS RESERVED.

REVISIONS					
P	LTR	DESCRIPTION	DATE	DWN	APVD
A		CREATION	28-NOV-17	GL	-



ITEM: 4.13

THIS DRAWING IS A CONTROLLED DOCUMENT.		DWN LAFORGE	28-NOV-17	STE TE Connectivity	
DIMENSIONS: mm		CHK -	APVD -		
TOLERANCES UNLESS OTHERWISE SPECIFIED:		PRODUCT SPEC 108-69096-001		5 PD 82 M345 180X80 C840	
<ul style="list-style-type: none"> 0 PLC ± - 1 PLC ± - 2 PLC ± - 3 PLC ± - 4 PLC ± - ANGLES ± - 		APPLICATION SPEC -		SIZE A3	CAGE CODE 00779
MATERIAL -		FINISH -		DRAWING NO C=2328395	RESTRICTED TO -
APPROX. WEIGHT 1.7 kg				CUSTOMER DRAWING	
SCALE 1:2				SHEET 1 OF 1	
				REV A	