

4

3

2

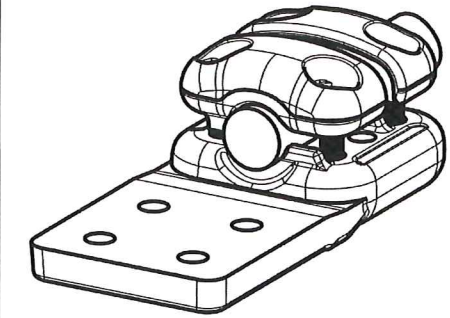
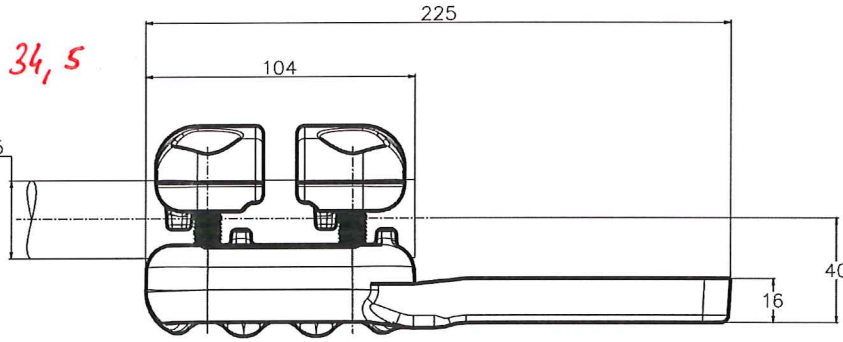
1

THIS DRAWING IS UNPUBLISHED. RELEASED FOR PUBLICATION  
 © COPYRIGHT - By - ALL RIGHTS RESERVED.

REVISIONS				
P	LTR	DESCRIPTION	DATE	APVD
A		CREATION	13-Fev-17	PG

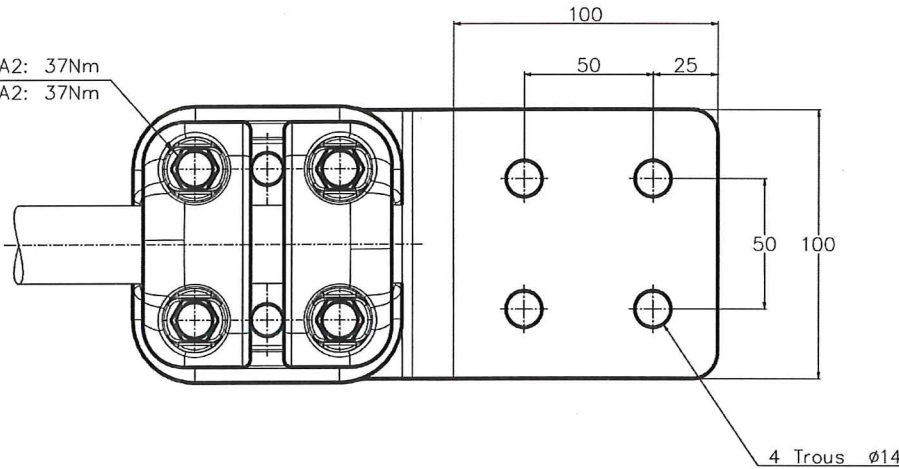
*φ 32,6 - 34,5*

~~Ø28,6~~ - 30,5



No scale - sans echelle

M10 Bolts stainless steel A2: 37Nm  
 Boulons M10 acier inoxydable A2: 37Nm



THIS DRAWING IS A CONTROLLED DOCUMENT.		DWN GARNIER P.	13-Fev-17													
DIMENSIONS: mm		CHK -	APVD -			NAME Pad connector for cable Raccord a plage pour cable 5 PD 82 M305 100 C34										
TOLERANCES UNLESS OTHERWISE SPECIFIED:		PRODUCT SPEC 108-69096-001	APPLICATION SPEC -	SIZE A3	CAGE CODE -											
<table border="1"> <tr><td>0 PLC</td><td>± -</td></tr> <tr><td>1 PLC</td><td>± -</td></tr> <tr><td>2 PLC</td><td>± -</td></tr> <tr><td>3 PLC</td><td>± -</td></tr> <tr><td>4 PLC</td><td>± -</td></tr> <tr><td>ANGLES</td><td>± -</td></tr> </table>		0 PLC	± -	1 PLC	± -	2 PLC	± -	3 PLC	± -	4 PLC	± -	ANGLES	± -	APPROX. WEIGHT 1.5 kg	DRAWING NO C-2314458	RESTRICTED TO -
0 PLC	± -															
1 PLC	± -															
2 PLC	± -															
3 PLC	± -															
4 PLC	± -															
ANGLES	± -															
MATERIAL -		CUSTOMER DRAWING		SCALE 1/2	SHEET 1 OF 1											
ITEM: <i>6</i>				REV A												