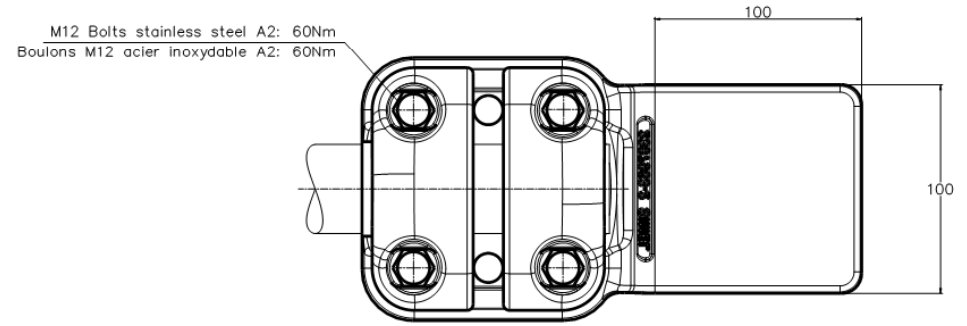
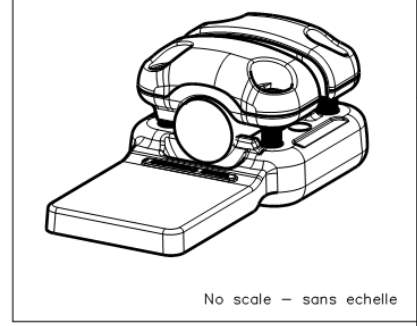
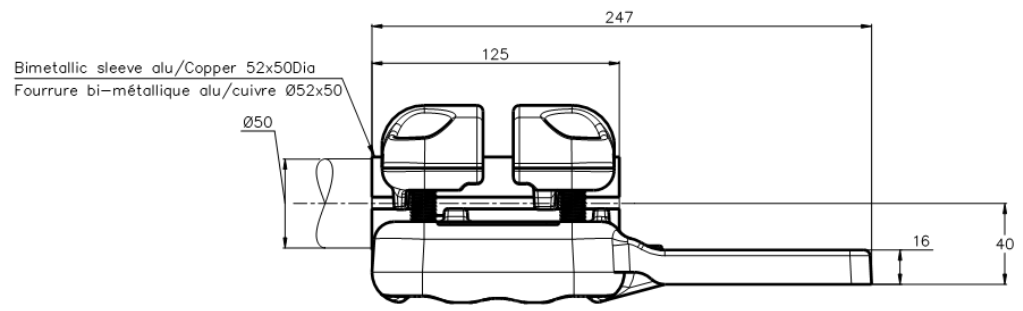


REVISIONS					
P	LTR	DESCRIPTION	DATE	DWN	APVD
A		CREATION	26-NOV-20	GL	-



ITEM:.....

THIS DRAWING IS A CONTROLLED DOCUMENT.		DWN: LAFORGE	26-NOV-20	STE TE Connectivity	
DIMENSIONS: mm		CHK: -	APVD: -		
TOLERANCES UNLESS OTHERWISE SPECIFIED:		PRODUCT SPEC		NAME	
0 PLC	± -	108-69096-001		Pad connector for single conductor	
1 PLC	± -	APPLICATION SPEC		Connecteur à plage pour faisceau simple	
2 PLC	± -	SIZE	CAGE CODE	DRAWING NO	RESTRICTED TO
3 PLC	± -	-	-	-	-
4 PLC	± -	WEIGHT	2.4kg	A3	©=2384283
ANGLES	± -	CUSTOMER DRAWING		SCALE	1:2
MATERIAL	FINISH	-		SHEET	1 of 1
				REV	A