

4

3

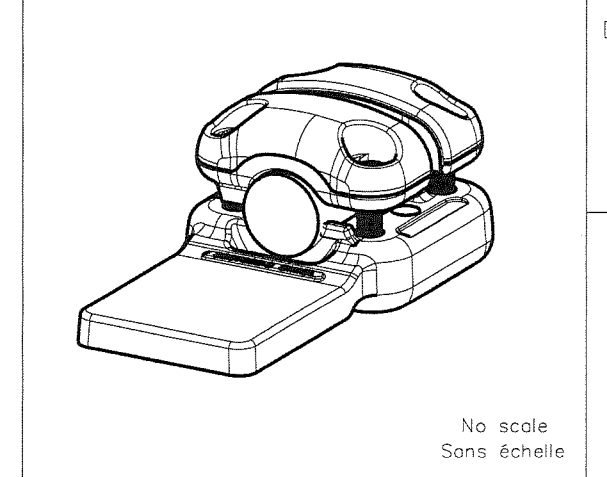
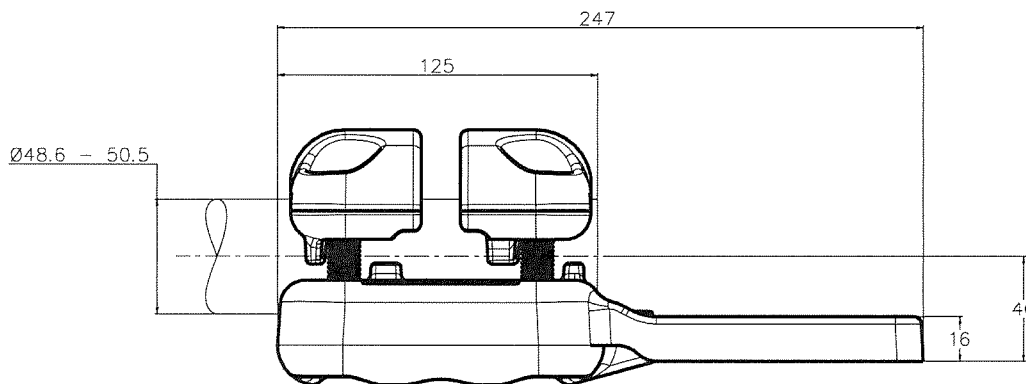
2

1

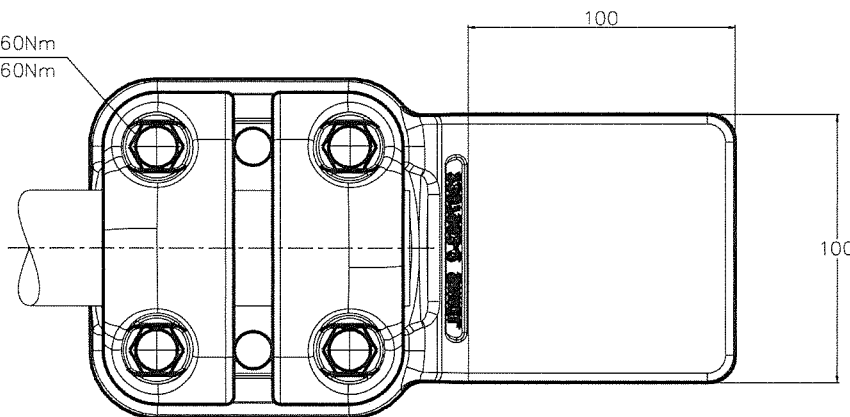
© - TE Connectivity. All Rights Reserved.

REVISIONS

P	LTR	DESCRIPTION	DATE	DWN	APVD
	A	CREATION	5-MAR-20	GL	-



M12 Bolts stainless steel A2: 60Nm  
 Boulons M12 acier inoxydable A2: 60Nm



THIS DRAWING IS A CONTROLLED DOCUMENT.		DWN	LAFORGE	5-MAR-20	<b>TE</b> TE Connectivity								
		CHK	-	-									
DIMENSIONS:		TOLERANCES UNLESS OTHERWISE SPECIFIED:		NAME									
mm				Pod connector for single conductor									
		0 PLC	± -	Connecteur à plage pour faisceau simple									
		1 PLC	± -	5 PD 82 L505 100									
		2 PLC	± -	PRODUCT SPEC	108-69096-001								
		3 PLC	± -	APPLICATION SPEC	-								
MATERIAL		FINISH		WEIGHT	2.6 kg	SIZE	A3	CAGE CODE	00779	DRAWING NO	C=2370663	RESTRICTED TO	-
CUSTOMER DRAWING				SCALE	1:2	SHEET	1	OF	1	REV	A		