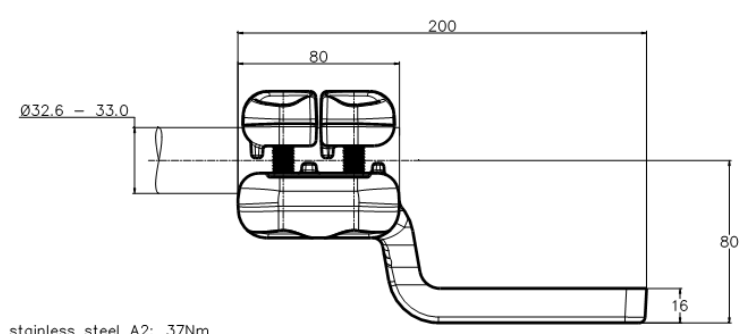
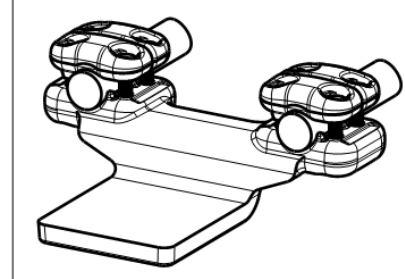
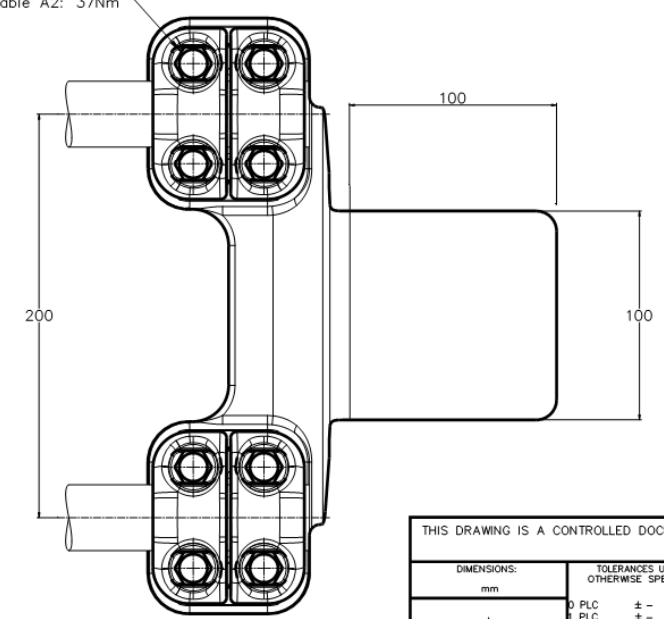


THIS DRAWING IS UNPUBLISHED. RELEASED FOR PUBLICATION  
 © COPYRIGHT - By - ALL RIGHTS RESERVED.

REVISIONS					
P	LTR	DESCRIPTION	DATE	DWI	APVD
A		CREATION	30-JAN-20	GL	-



M10 Bolts stainless steel A2: 37Nm  
 Boulons M10 acier inoxydable A2: 37Nm



No scale - sans echelle

Current flow: 2000A maxi  
 Courant transité: 2000A maxi

ITEM:.....

THIS DRAWING IS A CONTROLLED DOCUMENT.		DWI	30-JAN-20		TE Connectivity				
		CHK	-						
DIMENSIONS: mm		APVD	-		NAME PAD CONNECTOR FOR TWIN CONDUCTORS RACCORD A PLAGÉ POUR FAISCEAU DOUBLE 5 PD 82 F S330 E200 100				
TOLERANCES UNLESS OTHERWISE SPECIFIED: 1 PLC ± - 2 PLC ± - 3 PLC ± - 4 PLC ± - ANGLES ± -		PRODUCT SPEC	108-69096-001						
		APPLICATION SPEC	-		SIZE	CAGE CODE	DRAWING NO	RESTRICTED TO	
MATERIAL		APPROX. WEIGHT	2.4 kg	A3	-	C=2368716	-		
FINISH		CUSTOMER DRAWING		SCALE	1:2	SHEET	1 of 1	REV	A