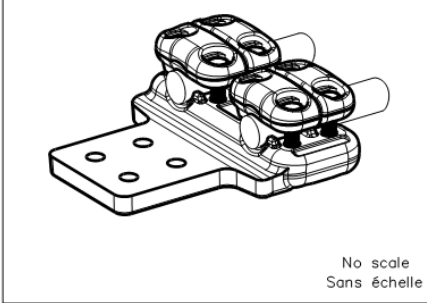
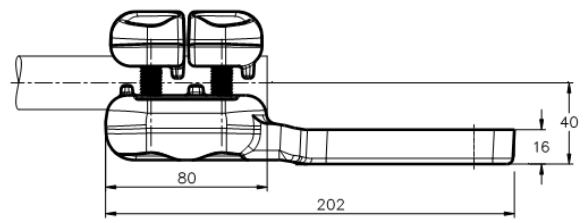
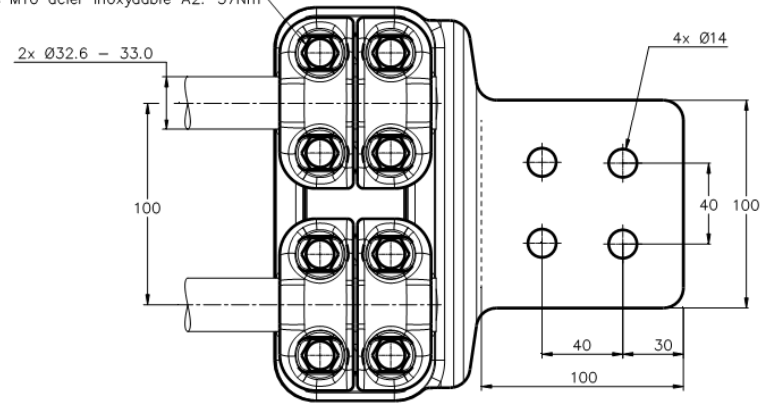


THIS DRAWING IS UNPUBLISHED. RELEASED FOR PUBLICATION. ALL RIGHTS RESERVED.

REVISIONS					
P	LTR	DESCRIPTION	DATE	DWI	APVD
A		CREATION	30-JAN-20	GL	-



M10 Bolts stainless steel A2: 37Nm
Boulons M10 acier inoxydable A2: 37Nm



Current flow: 2000A maxi
Courant transité: 2000A maxi

ITEM:.....

THIS DRAWING IS A CONTROLLED DOCUMENT.		DWI: LAFORGE	30-JAN-20	TE Connectivity	
DIMENSIONS: mm		CHK: -	APVD: -	NAME: Pad connector for twin cables	
TOLERANCES UNLESS OTHERWISE SPECIFIED:		PRODUCT SPEC: 108-69096-001		Raccord à plage pour faisceau double	
0 PLC ± - 1 PLC ± - 2 PLC ± - 3 PLC ± - 4 PLC ± - ANGLES ± -		APPLICATION SPEC: -		5 PD 82 F S330 E100 100 C276	
MATERIAL: -	FINISH: -	APPROX. WEIGHT: 2.3 kg	A3	SIZE: 00779	DRAWING NO: C=2368715
CUSTOMER DRAWING			SCALE: 1:2	SHEET: 1 of 1	REV: A