

4

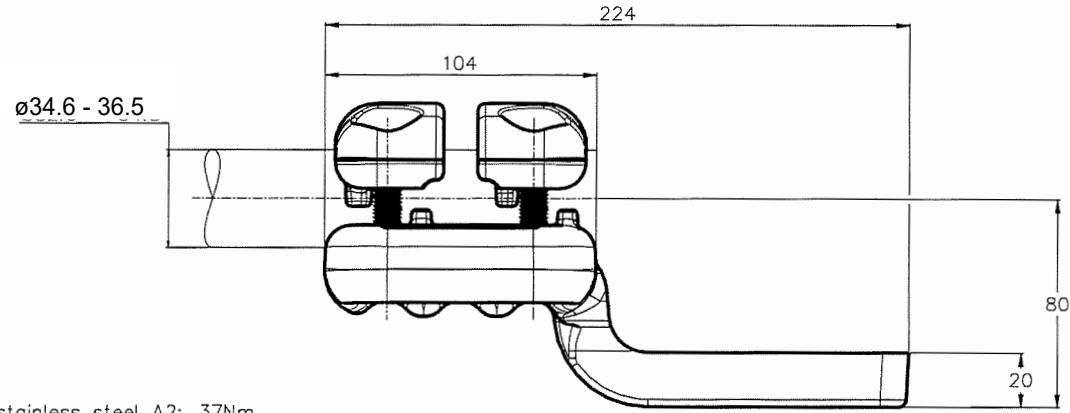
3

2

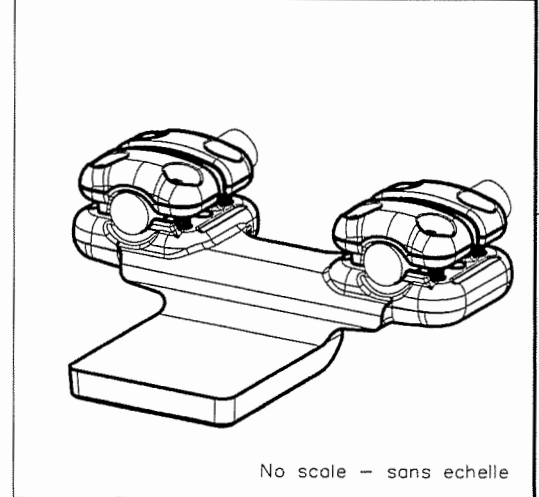
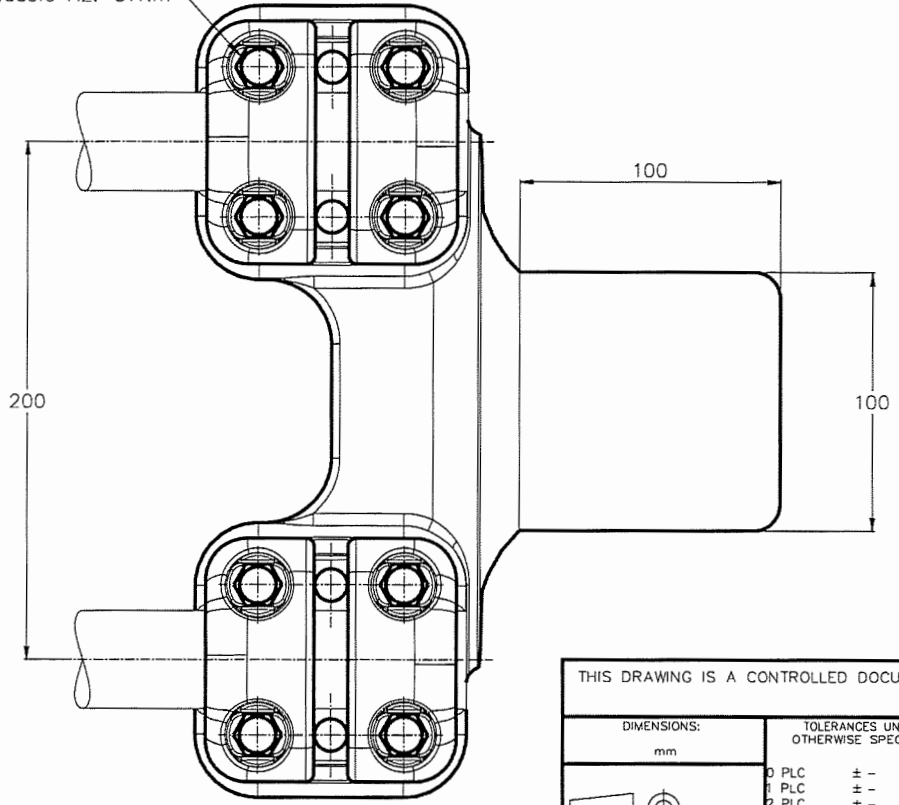
1

THIS DRAWING IS UNPUBLISHED. RELEASED FOR PUBLICATION
 © COPYRIGHT - By - ALL RIGHTS RESERVED.

REVISIONS				
P	LTR	DESCRIPTION	DATE	APVD
A		CREATION	19FEV2019	RM



M10 Bolts stainless steel A2: 37Nm
 Boulons M10 acier inoxydable A2: 37Nm



ITEM: 3.6

THIS DRAWING IS A CONTROLLED DOCUMENT.		DWN	19FEV2019		STE TE Connectivity
		CHK	-		
		APVD	-		NAME
		PRODUCT SPEC	108-69096-001		Pad connector for twin cables
		APPLICATION SPEC	-		Raccord à plage pour faisceau double
		APPROX. WEIGHT	3.22 kg	A3	5 PD 82 F M365 E200 100
		MATERIAL	-		RESTRICTED TO
		FINISH	-		SCALE 1/2 SHEET 1 of 1 REV A
		CUSTOMER DRAWING			

D

C

B

A