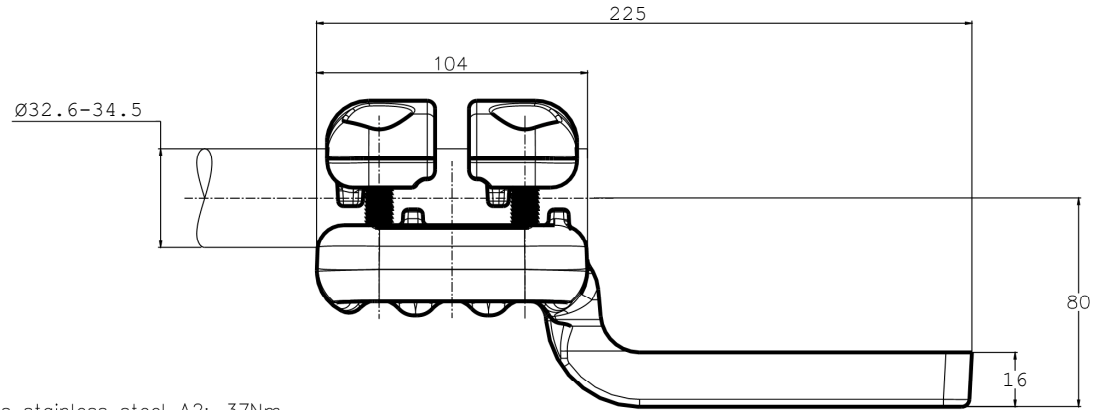


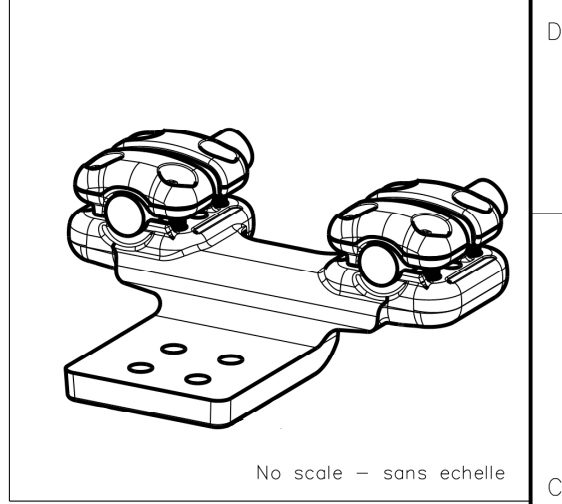
THIS DRAWING IS UNPUBLISHED. RELEASED FOR PUBLICATION
 © COPYRIGHT - By - ALL RIGHTS RESERVED.

REVISIONS

P	LTR	DESCRIPTION	DATE	DWN	APVD
B		UPDATED DRAWING	18-SEP-17	BH	-



M10 Bolts stainless steel A2: 37Nm
 Boulons M10 acier inoxydable A2: 37Nm



D

D

C

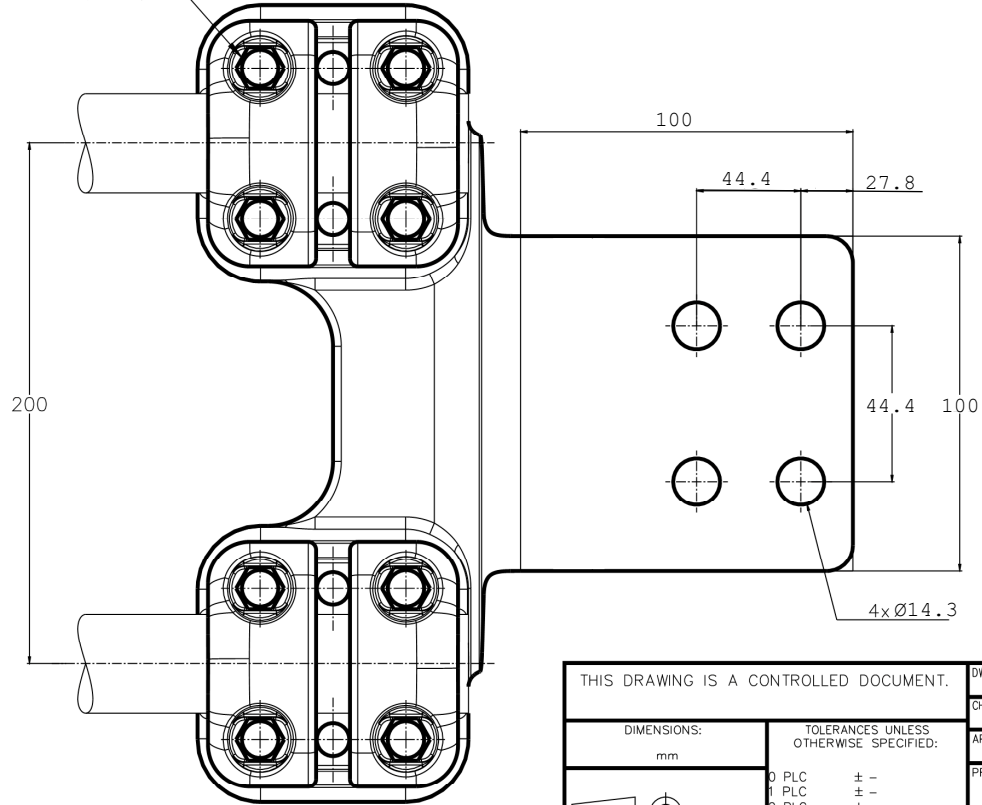
C

B

B

A

A



THIS DRAWING IS A CONTROLLED DOCUMENT.		DWN	01-Sep-17										
		CHK	HUARD										
DIMENSIONS: mm		TOLERANCES UNLESS OTHERWISE SPECIFIED:		NAME									
		1 PLC	±	PRODUCT SPEC									
		2 PLC	±	108-69096-001									
		3 PLC	±	APPLICATION SPEC									
		4 PLC ANGLES	±	-									
MATERIAL		FINISH		APPROX. WEIGHT	3.6 kg	SIZE	A3	CAGE CODE	-	DRAWING NO.	C-2324583	RESTRICTED TO	-
ITEM:.....				CUSTOMER DRAWING				SCALE	1/2	SHEET	1 OF 1	REV	B