

4

3

2

1

THIS DRAWING IS UNPUBLISHED.

RELEASED FOR PUBLICATION

ALL RIGHTS RESERVED.

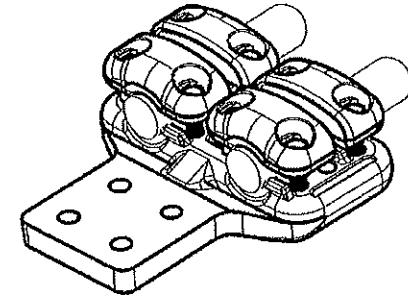
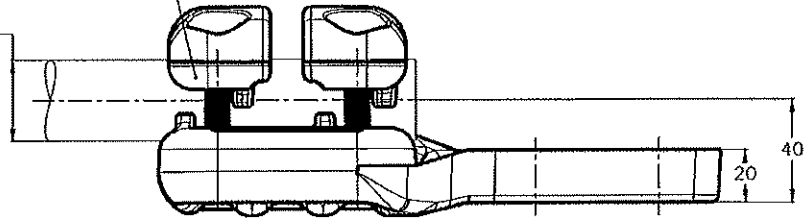
© COPYRIGHT - TE Connectivity

REVISIONS

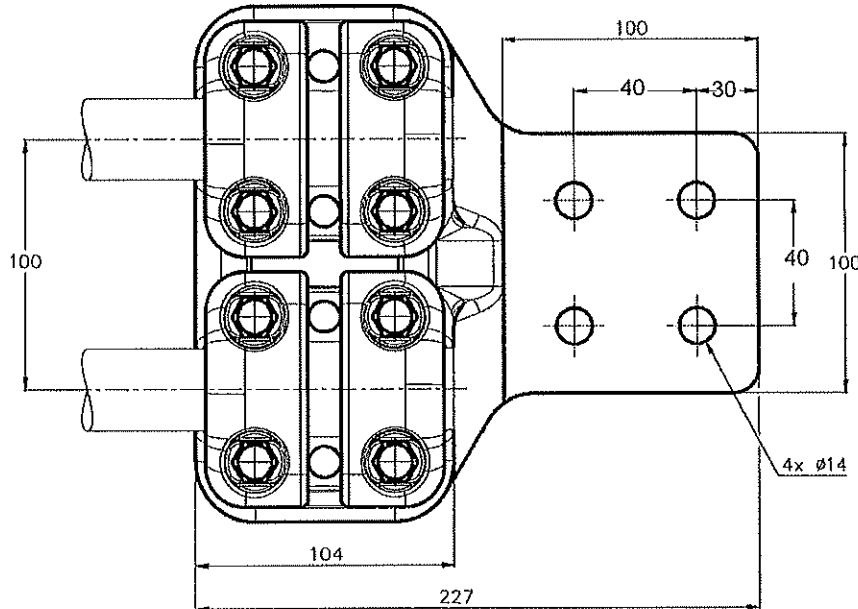
P	LTR	DESCRIPTION	DATE	BY	APVD
A		CREATION	12-DEC-17	BH	-

M10 Bolts stainless steel A2: 37Nm  
Boulons M10 acier inoxydable A2: 37Nm

2x Ø32.6 - 34.5



No scale - sans echelle



THIS DRAWING IS A CONTROLLED DOCUMENT.

DATE 12-Dec-17

BY HUARD

CHK -

APVD -

PRODUCT SPEC

108-69096-001

APPLICATION SPEC

---

WEIGHT 3 kg

CUSTOMER DRAWING



Pad connector for twin cables  
Raccord à plage pour 2 câbles  
5 PD 82 F M345 E100 100 C276

SIZE CAGE CODE DRAWING NO RESTRICTED TO

A300779 C=2328931 -

SCALE 1:2 SHEET 1 of 1 REV A

DIMENSIONS:

mm



TOLERANCES UNLESS OTHERWISE SPECIFIED:

0 PLC	± -
1 PLC	± -
2 PLC	± -
3 PLC	± -
4 PLC	± -
ANGLES	± -

MATERIAL FINISH

- -

Item : 16