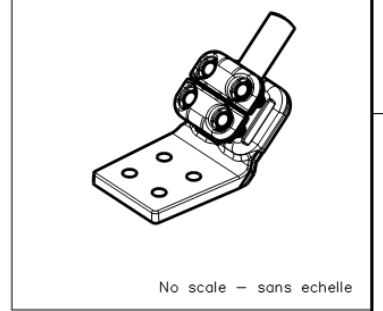
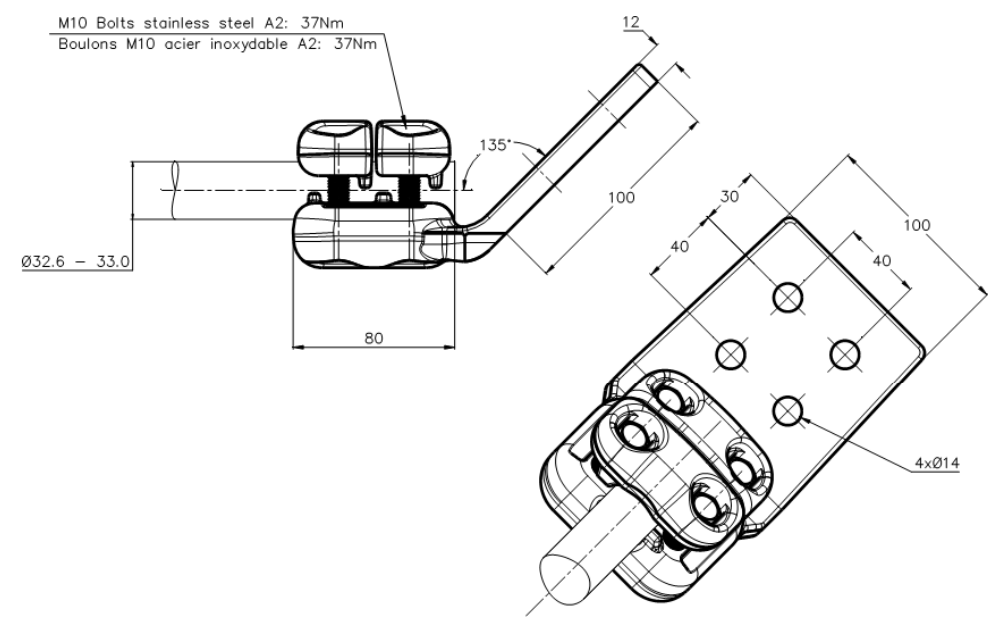


THIS DRAWING IS UNPUBLISHED. RELEASED FOR PUBLICATION
 © COPYRIGHT - By - ALL RIGHTS RESERVED.

REVISIONS					
P	LTR	DESCRIPTION	DATE	DWI	APVD
A		CREATION	30-JAN-20	GL	-



Current flow: 1000A maxi
 Courant transité: 1000A maxi

ITEM:.....

THIS DRAWING IS A CONTROLLED DOCUMENT.		DWI: LAFORGE	30-JAN-20	TE Connectivity	
DIMENSIONS: mm		CHK: -	APVD: -	NAME: ANGULAR PAD CONNECTOR	
TOLERANCES UNLESS OTHERWISE SPECIFIED:		PRODUCT SPEC: 108-69096-001		RACCORD ANGULAIRE A PLAGE	
0 PLC ± - 1 PLC ± - 2 PLC ± - 3 PLC ± - 4 PLC ± - ANGLES ± -		APPLICATION SPEC: -		5 PD 45 82 S330 100 C276	
MATERIAL: -	FINISH: -	APPROX. WEIGHT: 1.3 kg	SIZE: A3	CAGE CODE: 00779	DRAWING NO: C=2368712
CUSTOMER DRAWING			SCALE: 1/2	SHEET: 1 of 1	REV: A