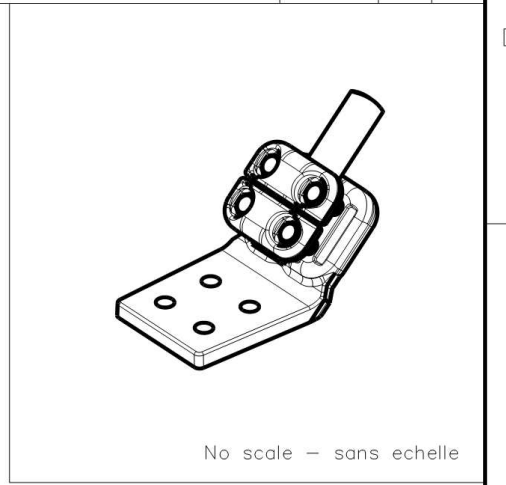
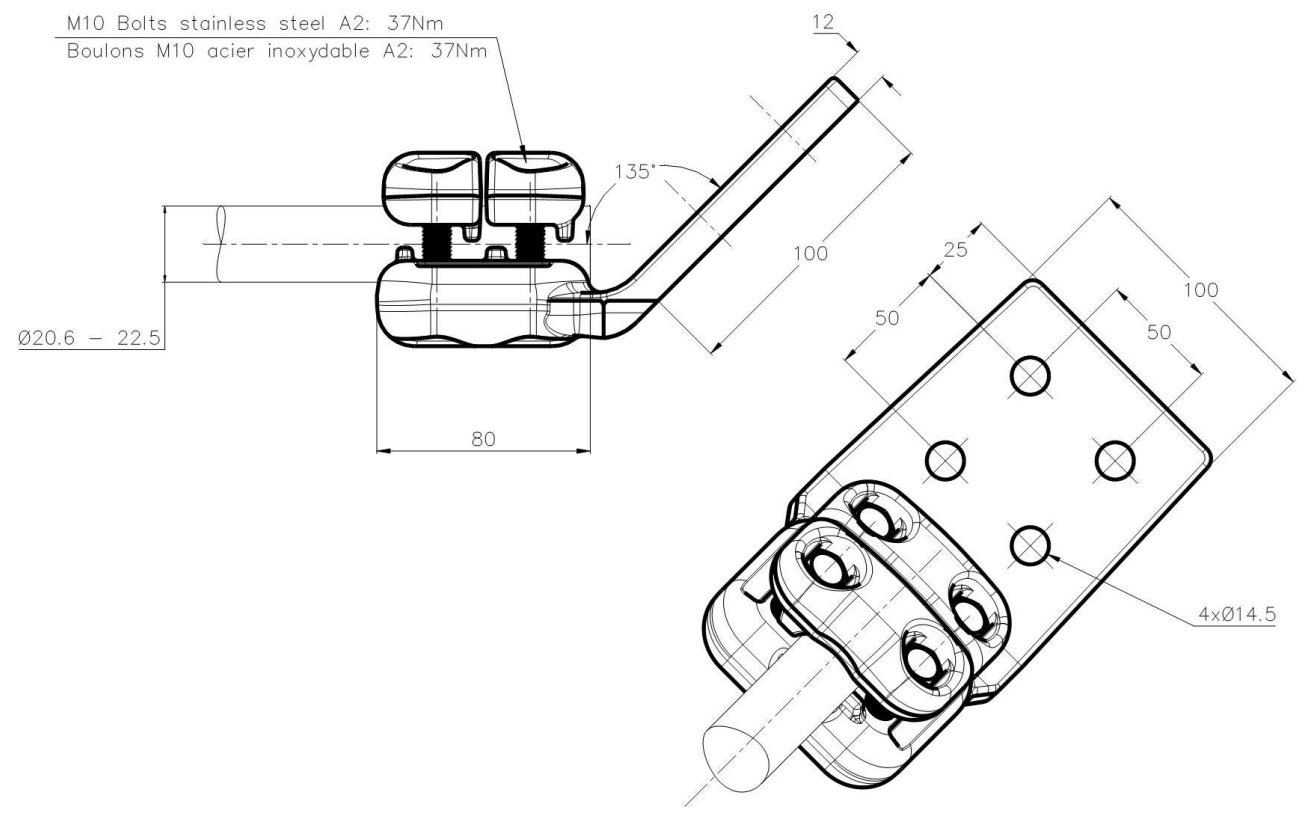


THIS DRAWING IS UNPUBLISHED. RELEASED FOR PUBLICATION
 © COPYRIGHT - By - ALL RIGHTS RESERVED.

REVISIONS					
P	LTR	DESCRIPTION	DATE	DWN	APVD
A		CREATION	15-MAY-18	GL	-



ITEM: 13

THIS DRAWING IS A CONTROLLED DOCUMENT.		DWN LAForge	15-MAY-18	STE TE Connectivity	
DIMENSIONS: mm		CHK -	APVD -		
TOLERANCES UNLESS OTHERWISE SPECIFIED:		PRODUCT SPEC 108-69096-001		5 PD 45 82 S225 100 C257	
<ul style="list-style-type: none"> 0 PLC ± - 1 PLC ± - 2 PLC ± - 3 PLC ± - 4 PLC ± - ANGLES ± - 		APPLICATION SPEC -		SIZE A3	CAGE CODE 00779
MATERIAL -		APPROX. WEIGHT 1.3 kg		DRAWING NO C=2336786	
FINISH -		CUSTOMER DRAWING		RESTRICTED TO -	SCALE 1/2
				SHEET 1	OF 1 1
				REV A	