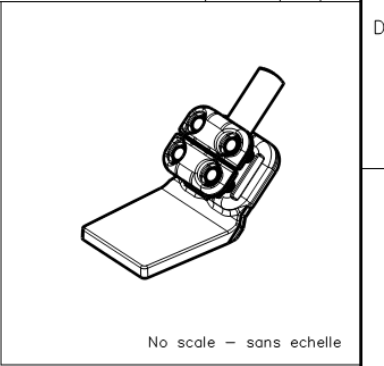
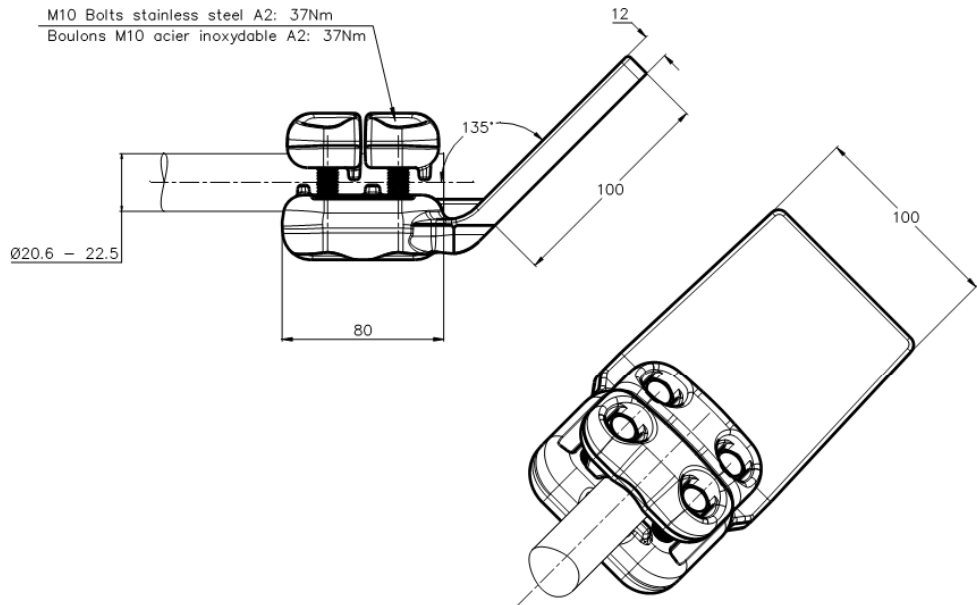


THIS DRAWING IS UNPUBLISHED. RELEASED FOR PUBLICATION  
 © COPYRIGHT - By - ALL RIGHTS RESERVED.

REVISIONS					
P	LR	DESCRIPTION	DATE	DWI	APVD
A		CREATION	18-APR-19	GL	-



ITEM:.....

THIS DRAWING IS A CONTROLLED DOCUMENT.		DWI: LAFORGE 18-Apr-19	<b>STE</b> TE Connectivity	
DIMENSIONS: mm		CHK: -		
TOLERANCES UNLESS OTHERWISE SPECIFIED:		APVD: -	NAME: ANGULAR PAD CONNECTOR	
1 PLC ± -		PRODUCT SPEC: 108-69096-001	RACCORD ANGULAIRE A PLAGE	
2 PLC ± -		APPLICATION SPEC: -	5 PD 45 82 S225 100	
3 PLC ± -		APPROX. WEIGHT: 1.3 kg	SIZE: A3	CAGE CODE: 00779
4 PLC ± -		CUSTOMER DRAWING	DRAWING NO: C=2355373	RESTRICTED TO: -
ANGLES ± -		SCALE: 1/2	SHEET: 1 of 1	REV: A
MATERIAL: -				
FINISH: -				