

4

3

2

1

THIS DRAWING IS UNPUBLISHED.

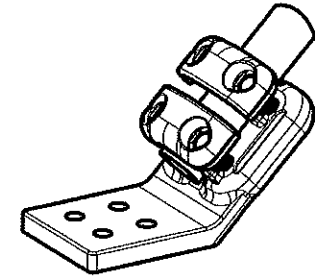
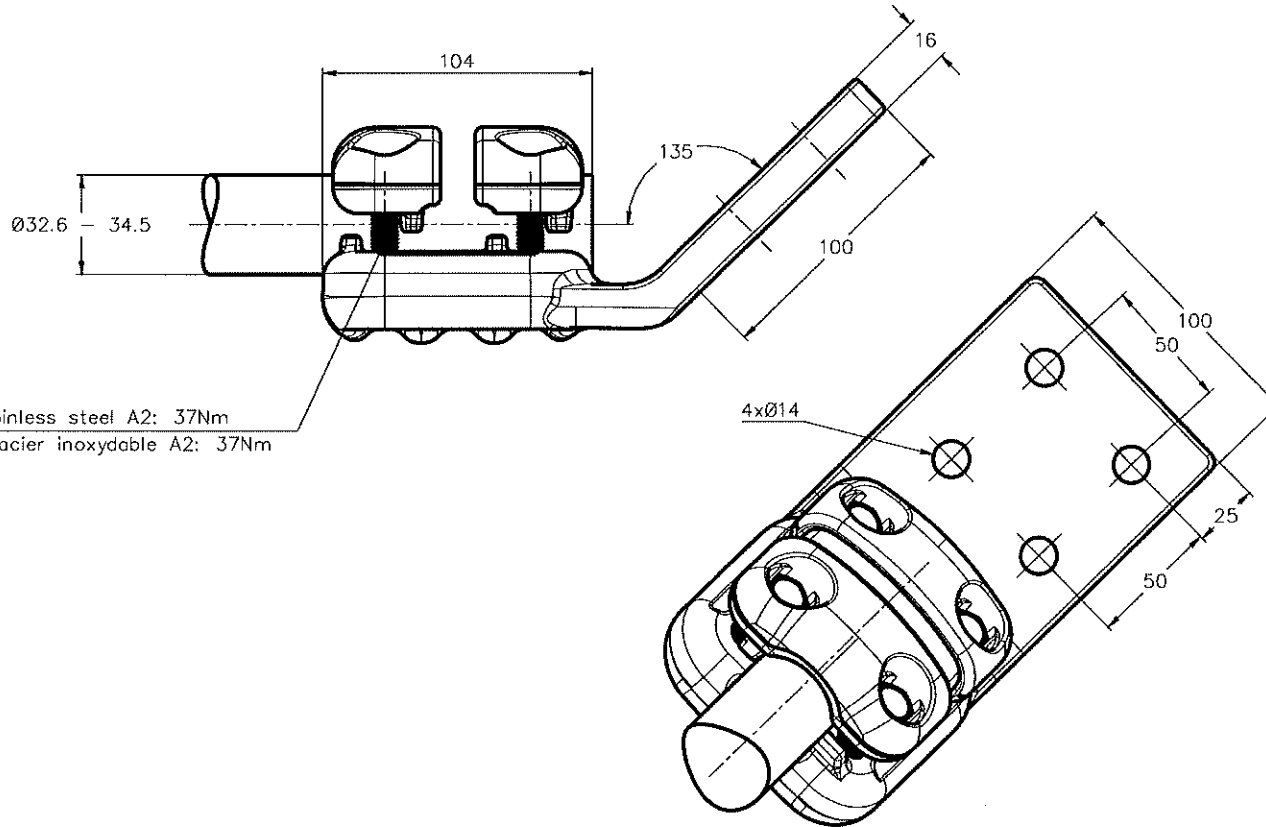
RELEASED FOR PUBLICATION

© COPYRIGHT - By -

ALL RIGHTS RESERVED.

REVISIONS

P	LTR	DESCRIPTION	DATE	DMR	APVD
A		CREATION	20-NOV-17	BH	--



No scale  
Sans échelle

M10 Bolts stainless steel A2: 37Nm  
 Boulons M10 acier inoxydable A2: 37Nm

THIS DRAWING IS A CONTROLLED DOCUMENT.		DMR HUARD	20-Nov-17	TE Connectivity	
DIMENSIONS: mm		CHK --	APVD --		
TOLERANCES UNLESS OTHERWISE SPECIFIED:		PRODUCT SPEC 108-69096-001		APPLICATION SPEC	
		APPROX WEIGHT 1.6 kg		SIZE A3	CAGE CODE 00779
MATERIAL		FINISH		DRAWING NO C=2328109	RESTRICTED TO
CUSTOMER DRAWING				SCALE 1:2	SHEET 1 of 1
				REV A	

ITEM: 4