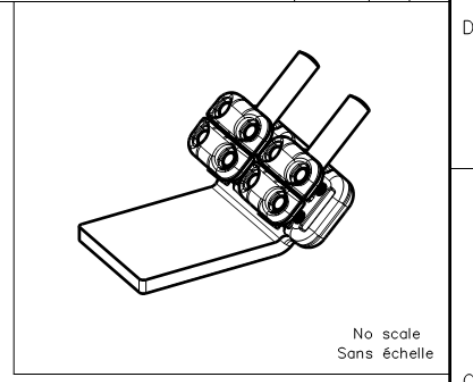
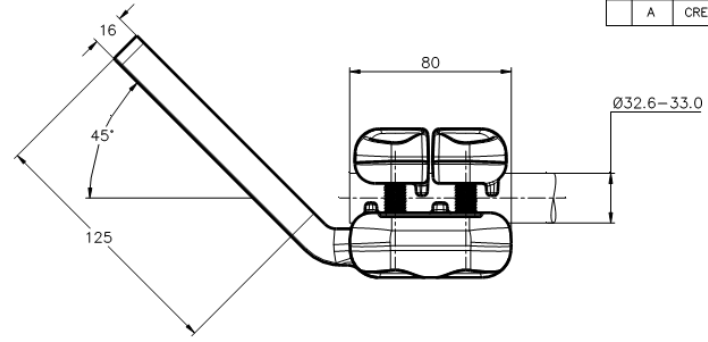
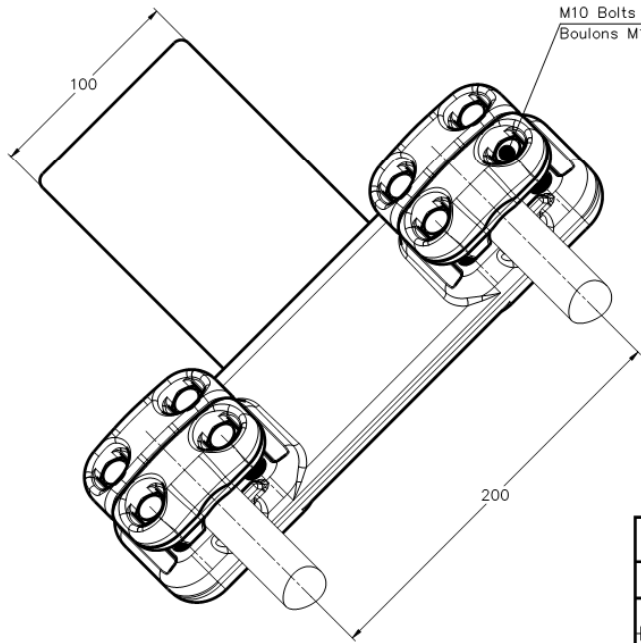


THIS DRAWING IS UNPUBLISHED. RELEASED FOR PUBLICATION
 © COPYRIGHT - By - ALL RIGHTS RESERVED.

REVISIONS					
P	LTR	DESCRIPTION	DATE	DWI	APVD
A		CREATION	31-JAN-20	GL	-



M10 Bolts stainless steel A2: 37Nm
 Boulons M10 acier inoxydable A2: 37Nm



Current flow: 2000A maxi
 Courant transité: 2000A maxi

ITEM:.....

THIS DRAWING IS A CONTROLLED DOCUMENT.		DWI: LAFORGE 31-JAN-20	TE Connectivity	
DIMENSIONS: mm		CHK: -	NAME: ANGULAR PAD CONNECTOR	
TOLERANCES UNLESS OTHERWISE SPECIFIED:		APVD: -	RACCORD A PLAGE	
0 PLC ± -	1 PLC ± -	PRODUCT SPEC: 108-69096-001	5 PD 45 82 F S330 E200 100	
2 PLC ± -	3 PLC ± -	APPLICATION SPEC: -	SIZE: A3	CAGE CODE: 00779
4 PLC ± -	ANGLES ± -	APPROX. WEIGHT: 2.5 kg	DRAWING NO: C=2368711	RESTRICTED TO: -
MATERIAL: -	FINISH: -	CUSTOMER DRAWING		SCALE: 1:2
			SHEET: 1 of 1	REV: A