

4

3

2

1

THIS DRAWING IS UNPUBLISHED. RELEASED FOR PUBLICATION
ALL RIGHTS RESERVED.

© COPYRIGHT - Bv -

REVISIONS

P	LIR	DESCRIPTION	DATE	DWN	APVD
A	CREATION		01-APR-19	GL	-

ø34.6 - 36.5

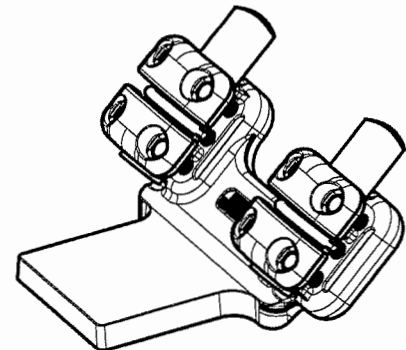
104

45°

M10 Bolts stainless steel A2: 37Nm
Boulons M10 acier inoxydable A2: 37Nm

20

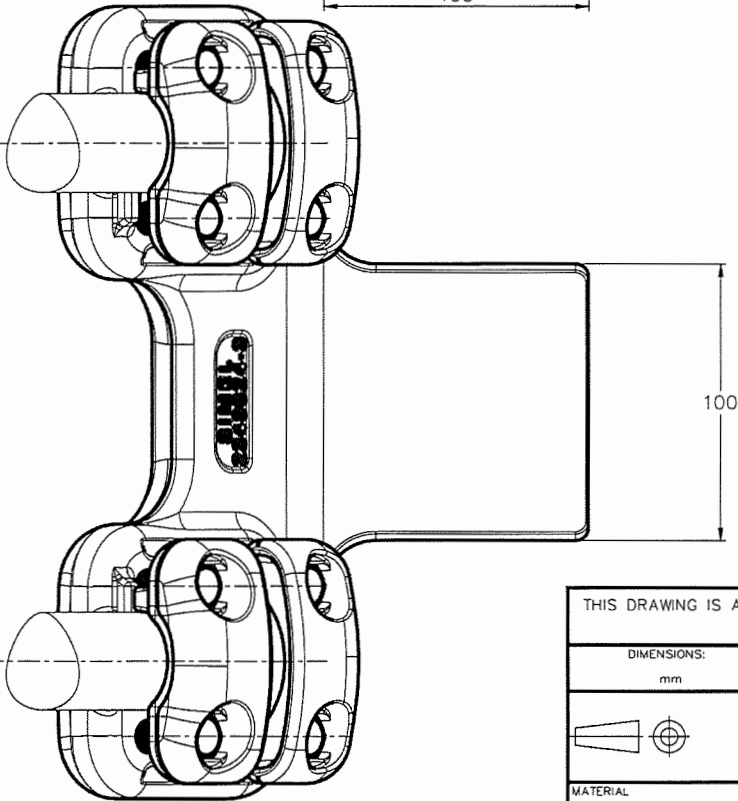
100



No scale
Sans échelle

200

100



ITEM: 3..7.....

THIS DRAWING IS A CONTROLLED DOCUMENT.		DWN LAFORGE	01-APR-19	TE Connectivity	
DIMENSIONS: mm		CHK -	APVD -		
TOLERANCES UNLESS OTHERWISE SPECIFIED:		PRODUCT SPEC 108-69096-001		5 PD 45 82 F M365 E200 100	
0 PLC ± - 1 PLC ± - 2 PLC ± - 3 PLC ± - 4 PLC ± - ANGLES ± -		APPLICATION SPEC -		SIZE A3	CAGE CODE 00779
MATERIAL -		FINISH -		APPROX. WEIGHT 3.45 kg	DRAWING NO -
CUSTOMER DRAWING				RESTRICTED TO -	SCALE 1:2
				SHEET 1 of 1	REV A