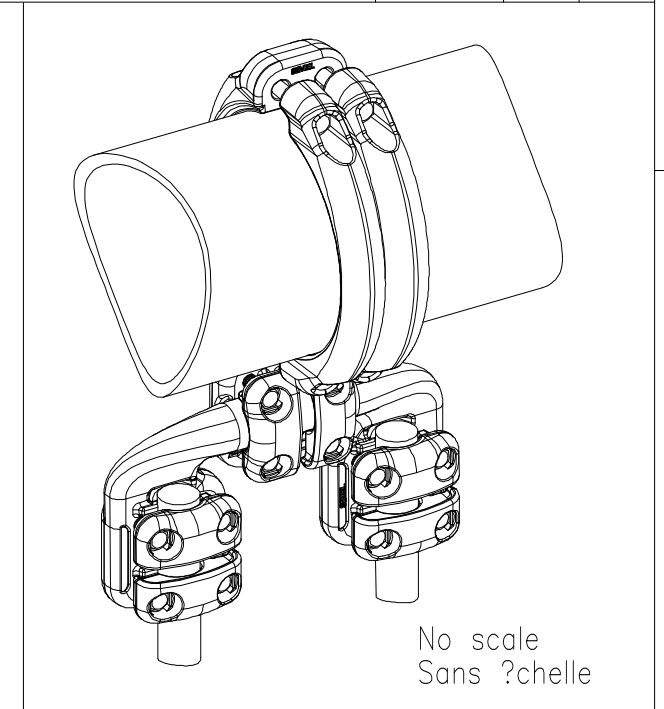
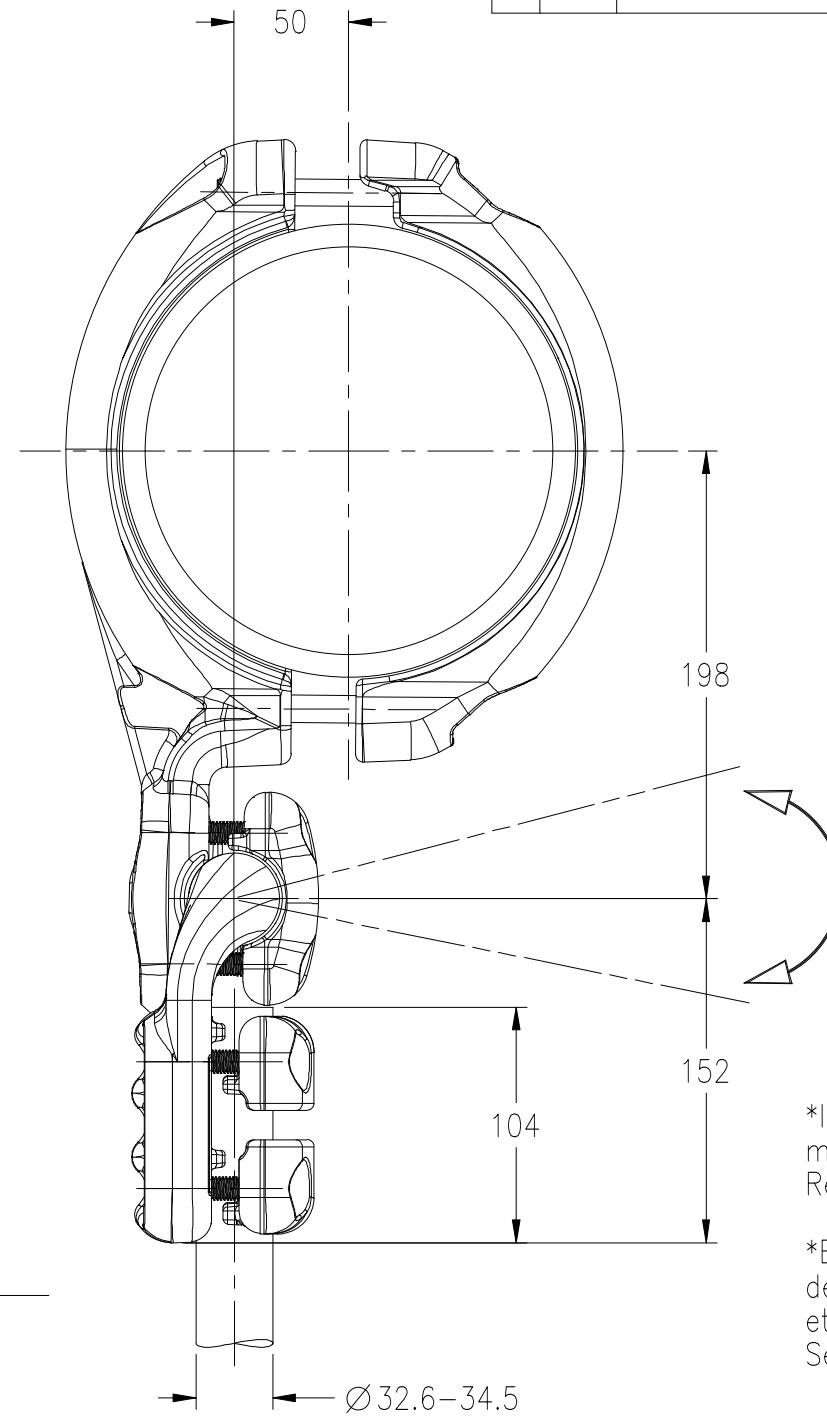
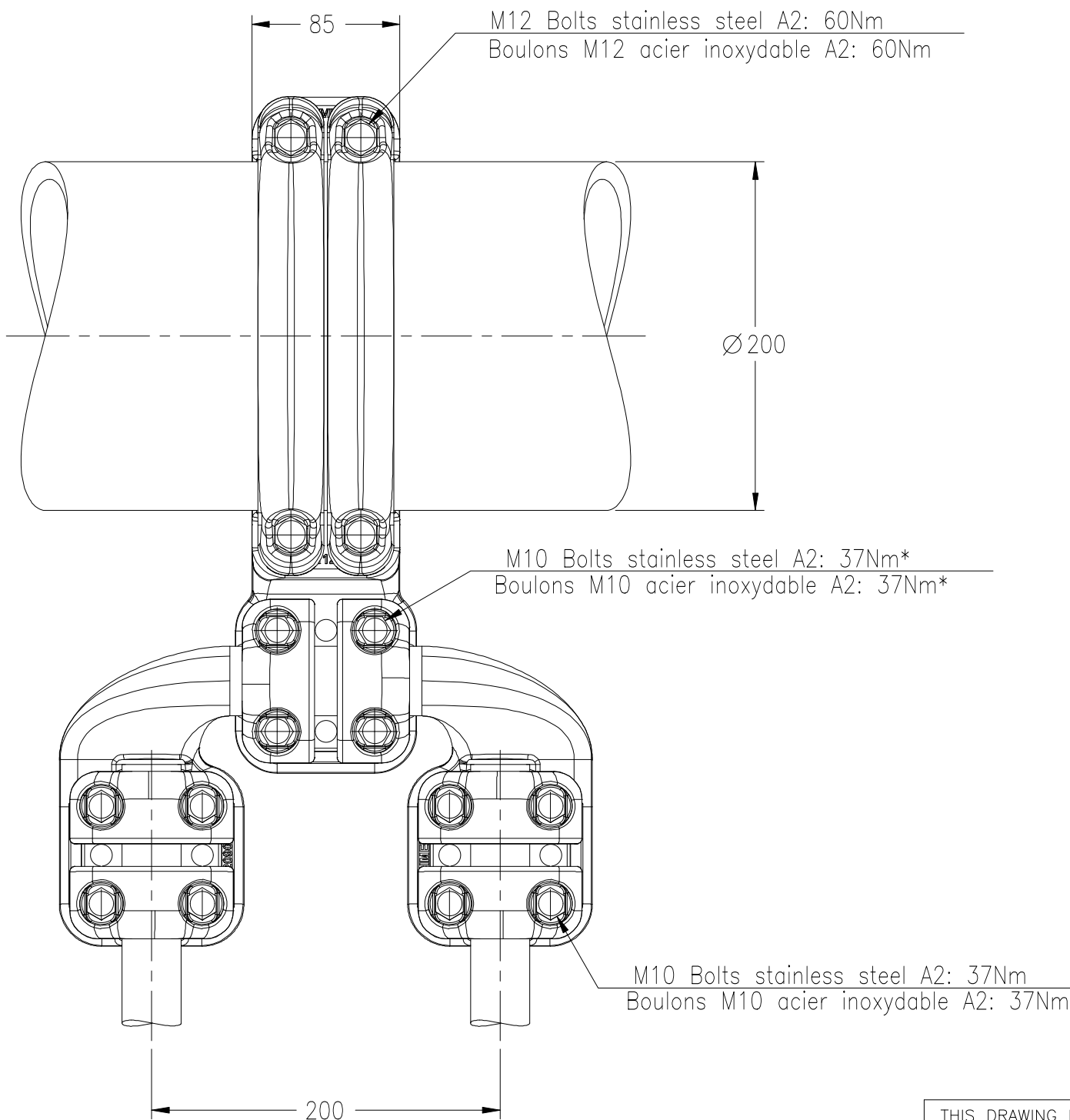


P	LTR	DESCRIPTION	DATE	DWN	APVD
	A	CREATION	29NOV2021	RS	CG



Adjusted on site\*  
Ajusté sur site\*

\*In case of loosening, contact surfaces must be cleaned and greased  
Refer to installation instruction

\*En cas de desserrage, les surfaces de contact doivent être nettoyées et graissées  
Se référer à la notice d'installation

THIS DRAWING IS A CONTROLLED DOCUMENT.		DWN RAVLS 29NOV2021												
DIMENSIONS: mm		CHK M.PREVOT 29NOV2021												
TOLERANCES UNLESS OTHERWISE SPECIFIED:		APVD C.GLOMMEAU 29NOV2021												
<table border="0"> <tr><td>0 PLC</td><td>±-</td></tr> <tr><td>1 PLC</td><td>±-</td></tr> <tr><td>2 PLC</td><td>±-</td></tr> <tr><td>3 PLC</td><td>±-</td></tr> <tr><td>4 PLC</td><td>±-</td></tr> <tr><td>ANGLES</td><td>±-</td></tr> </table>		0 PLC				±-	1 PLC	±-	2 PLC	±-	3 PLC	±-	4 PLC	±-
0 PLC	±-													
1 PLC	±-													
2 PLC	±-													
3 PLC	±-													
4 PLC	±-													
ANGLES	±-													
MATERIAL		APPLICATION SPEC -	NAME ADJUSTABLE TEE CONNECTOR RACCORD EN TE AJUSTABLE 5 MTA 82 A T200 M345 E200	SIZE A3	CAGE CODE 00779	DRAWING NO C-2404389	RESTRICTED TO -							
FINISH		WEIGHT 7.61 kg	SCALE 5:1		SHEET 1 OF 1	REV A								
		CUSTOMER DRAWING												