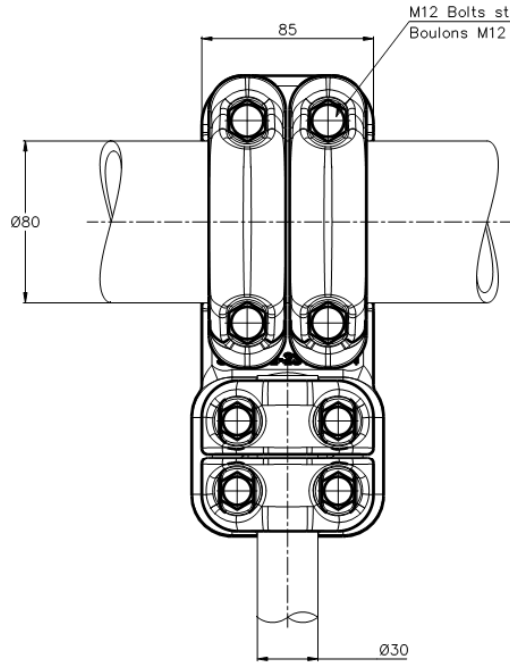
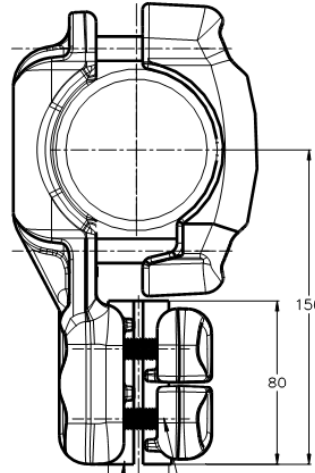


REVISIONS

P	LTR	DESCRIPTION	DATE	DWN	APVD
A		CREATION	16-DEC-20	GL	-

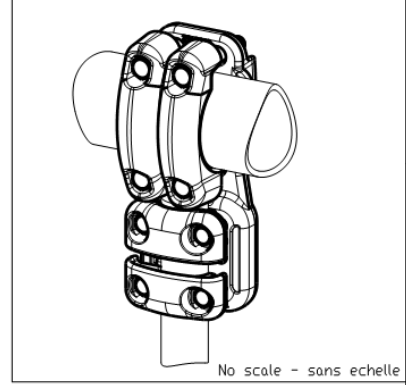


M12 Bolts stainless steel A2: 60Nm
Boulons M12 acier inoxydable A2: 60Nm



M10 Bolts stainless steel A2: 37Nm
Boulons M10 acier inoxydable A2: 37Nm

Bimetallic sleeve Alu/Copper 32x30DIA
Fournure bi-métallique alu/Cuivre Ø32x30



THIS DRAWING IS A CONTROLLED DOCUMENT.

DWN: LAFORGE 16-DEC-20
CHK: -



DIMENSIONS:	TOLERANCES UNLESS OTHERWISE SPECIFIED:
mm	
0 PLC	± -
1 PLC	± -
2 PLC	± -
3 PLC	± -
4 PLC	± -
ANGLES	± -

MATERIAL: -
FINISH: -

APVD: - NAME: -
PRODUCT SPEC: 108-69096-001
APPLICATION SPEC: -

TEE CONNECTOR
RACCORD EN TE
5 MT 82 T80 SK305

WEIGHT: 2.7 kg
CUSTOMER DRAWING

SIZE: A3 CAGE CODE: 00779 DRAWING NO: C=2384368 RESTRICTED TO: -
SCALE: 1:2 SHEET: 1 of 1 REV: A

ITEM:.....