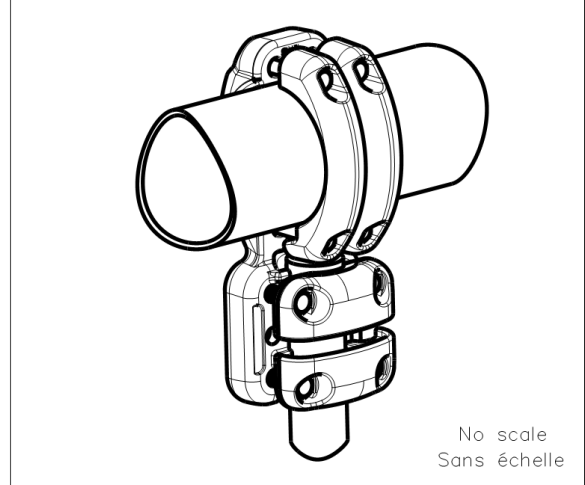
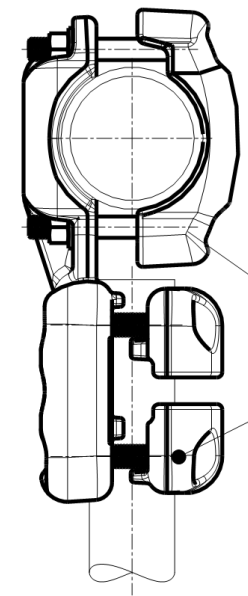
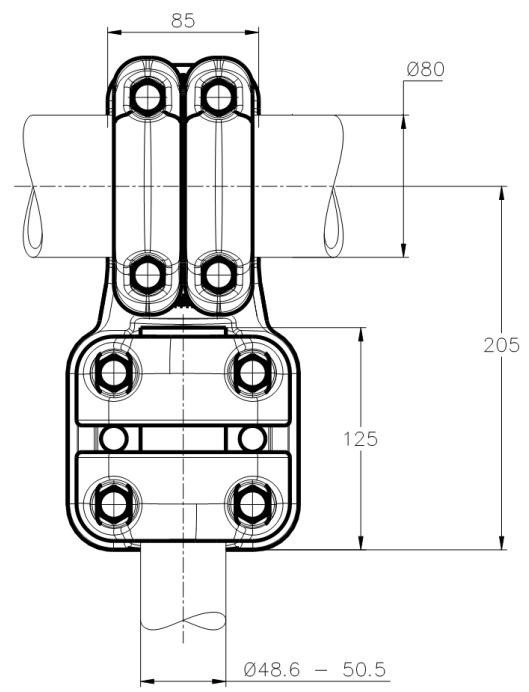


THIS DRAWING IS UNPUBLISHED. RELEASED FOR PUBLICATION -,-
 © COPYRIGHT - By - ALL RIGHTS RESERVED.

REVISIONS					
P	LTR	DESCRIPTION	DATE	DWN	APVD
A		CREATION	30-AUG-18	GL	-



M12 Bolts stainless steel A2: 60Nm
 Boulons M12 acier inoxydable A2: 60Nm

ITEM: 6

THIS DRAWING IS A CONTROLLED DOCUMENT.		DWN	LAFORGE		30-AUG-18	STE TE Connectivity	
DIMENSIONS: mm		CHK	-		APVD		
		TOLERANCES UNLESS OTHERWISE SPECIFIED:		PRODUCT SPEC		SINGLE TEE CONNECTOR	
		0 PLC ± -	1 PLC ± -	2 PLC ± -	3 PLC ± -	4 PLC ± -	ANGLES ± -
MATERIAL		FINISH		APPLICATION SPEC		5 MT 82 T80 L505	
-		-		108-69096-001		SIZE	CAGE CODE
				APPROX. WEIGHT 3.4 kg		DRAWING NO	RESTRICTED TO
				CUSTOMER DRAWING		A3	00779
						C=2339615	-
						SCALE 1:3	SHEET 1 OF 1
						REV A	