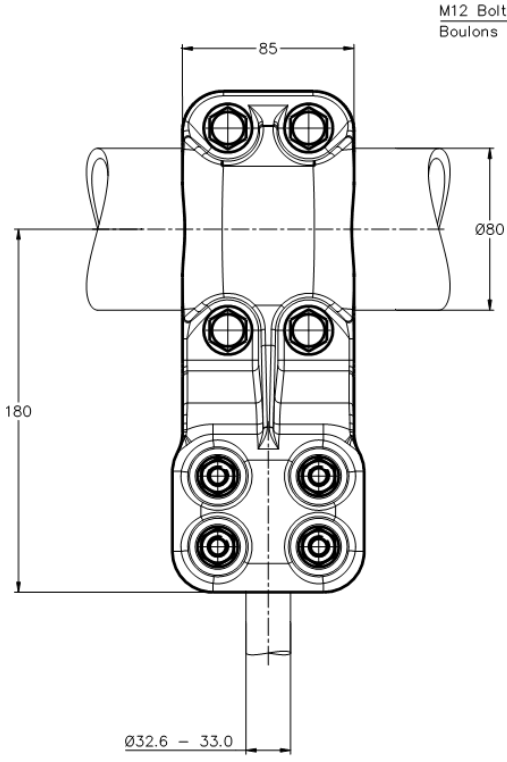
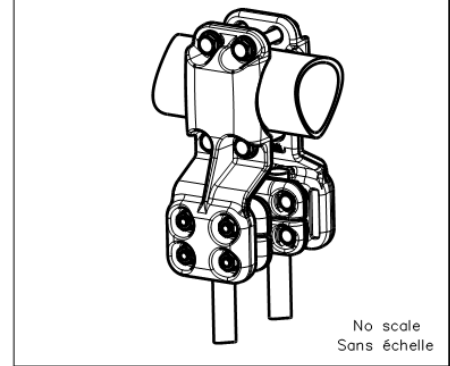
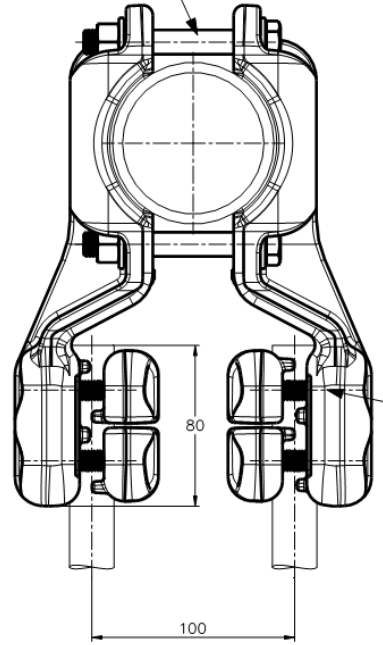


THIS DRAWING IS UNPUBLISHED. RELEASED FOR PUBLICATION
 © COPYRIGHT - By - ALL RIGHTS RESERVED.

REVISIONS					
P	LTR	DESCRIPTION	DATE	DWI	APVD
A		CREATION	31-JAN-20	GL	-



M12 Bolts stainless steel A2: 60Nm
 Boulons M12 acier inoxydable A2: 60Nm



M10 Bolts stainless steel A2: 37Nm
 Boulons M10 acier inoxydable A2: 37Nm

Derivative current: 2000A maxi
 Courant dérivé: 2000A maxi

ITEM:.....

THIS DRAWING IS A CONTROLLED DOCUMENT.		DWI	31-JAN-20		TE Connectivity
		CHK	-		
DIMENSIONS: mm		TOLERANCES UNLESS OTHERWISE SPECIFIED:		APVD	NAME
		0 PLC	± -	PRODUCT SPEC	TEE CONNECTOR
		1 PLC	± -	108-69096-001	RACCORD EN TE
		2 PLC	± -	APPLICATION SPEC	5 MT 82 A T80 S330 E100 SP
		3 PLC	± -		
		4 PLC	± -		
		ANGLES	± -		
MATERIAL	FINISH	APPROX. WEIGHT	3.7 kg	SIZE	CAGE CODE
-	-			A3	00779
CUSTOMER DRAWING				DRAWING NO	RESTRICTED TO
				C=2368709	-
			SCALE	1:2	SHEET
					1 of 1
					REV
					A